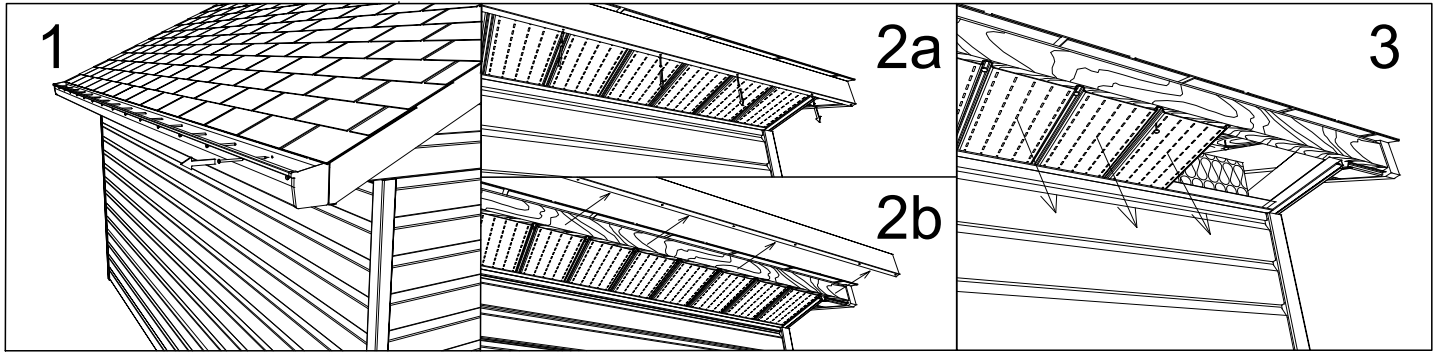


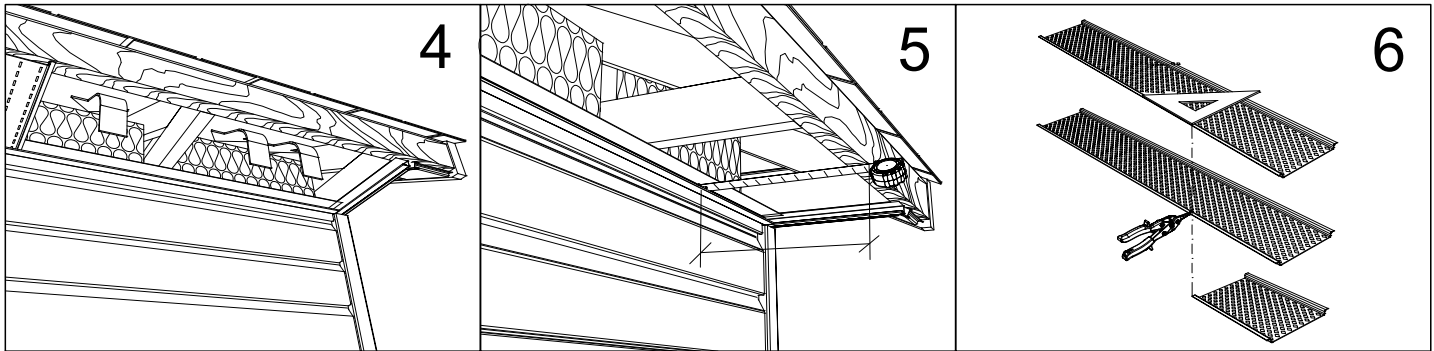
## Installation for the 50% Soffit (new and existing construction)



1 Remove eaves trough.

2a  
2b Remove the nails holding the fascia and remove fascia.

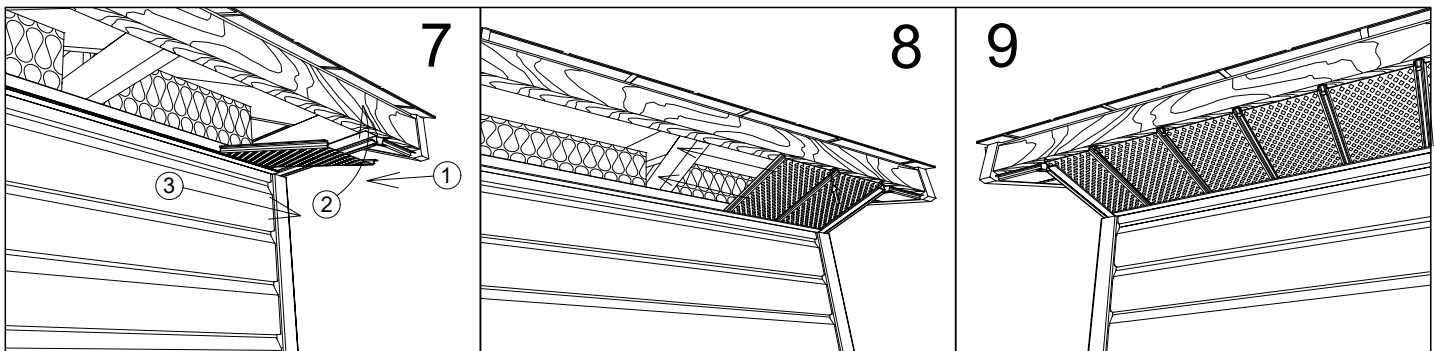
3 Remove and dispose of the existing soffits as well as the nails securing the soffits. Should there be material under the soffits obstructing the air flow such as blocker boards, it should be removed completely.



4 Verify that there is sufficient air space between the insulation and underside of the roof deck, correct if necessary. Verify that the insulation is in good condition and that it has been properly installed.

5 Start at one extremity of the eave and measure the length from the inside of the J-Trim to the exterior of the fascia.

6 Take a length of the 50% soffit and mark the measurement into it. Using a square, trace a line onto the soffit and cut off the measured length using tin snipers.



7 Slide the soffit onto the existing J-Trim, making sure that the soffit is all the way in and laying completely flat on the trim. Make sure it is straight and flush with the fascia board. Refer to the steps shown above.

8 Take your second piece and slide it into place. The overlap of the second piece should be on top of the overlap of the first piece. Secure the soffits by nailing an aluminium nail between the first and second piece into both overlaps onto the facias board.

9 Repeat steps 5, 6, 7 and 8 for all other pieces. When you get to the last piece, should you have to cut it in width, add  $\frac{1}{2}$ " and bend it for support and rigidity. Re-install the fascia and eaves trough.

**NOTE 1:** Make sure that there are no exhaust vents dumping into the soffits, if so relocate the exhaust onto the roof by installing our CT-Roof Exhaust unit designed for this application.

By exhausting into the soffits, the exhaust air will be drawn right back into the attic space, defeating the purpose of moisture control within the attic as well as creating condensation and rot.

