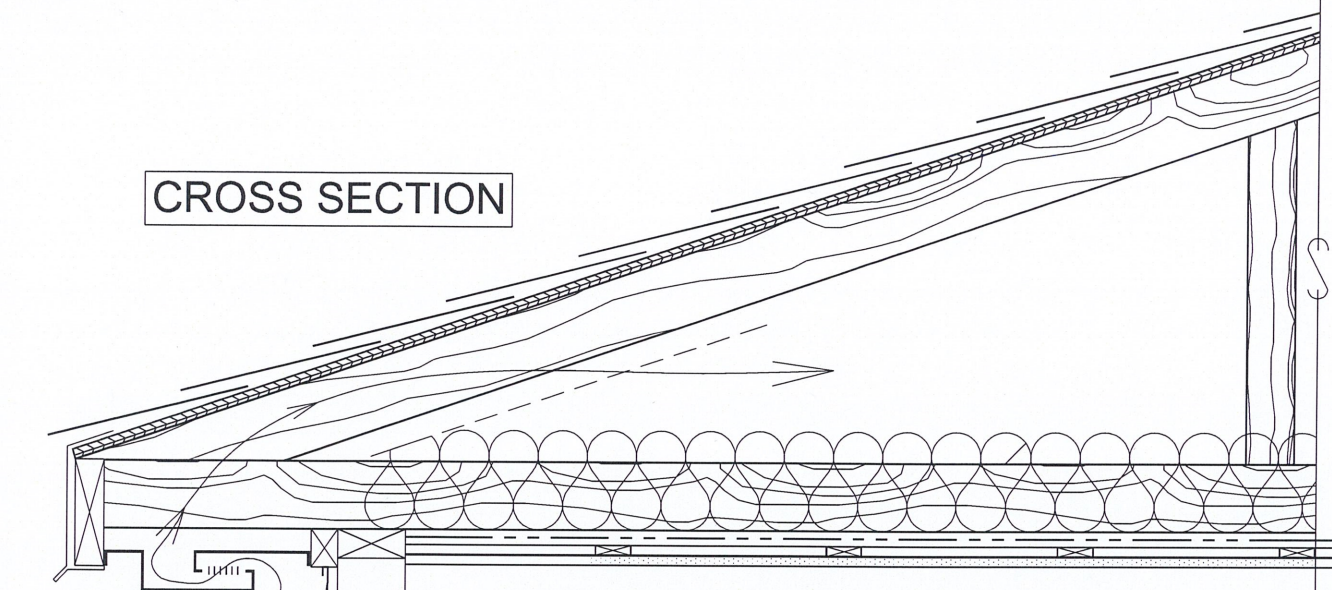
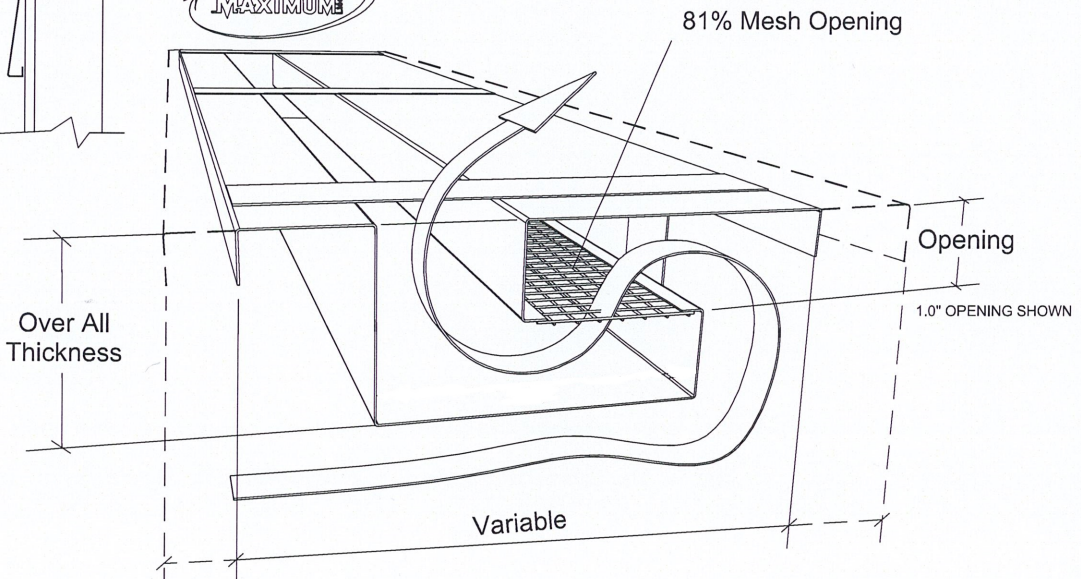


CROSS SECTION



OPENING

O/All Thickness	Opening	Free Air for 8 ft (2.44m) long
1.0" (25mm)	0.5" (13mm)	39 in ² (0.03 m ²)
1.5" (38mm)	0.75" (19mm)	58 in ² (0.04 m ²)
2.0" (51mm)	1.0" (25mm)	78 in ² (0.05 m ²)



Over All Thickness

Variable

AIR INTAKE Storm Proof Soffit



VMAX-STR-PRF-SOF-E.DWG (Acad 2010)
 VMAX-STR-PRF-SOF-E.RVT (Revit 2015)
 VMAX-STR-PRF-SOF-E.PDF (Acrobat)

2016-06-16 (ver.0)

VMAX-STR-PRF-SOF