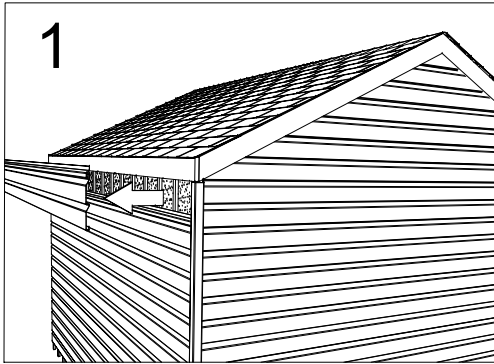
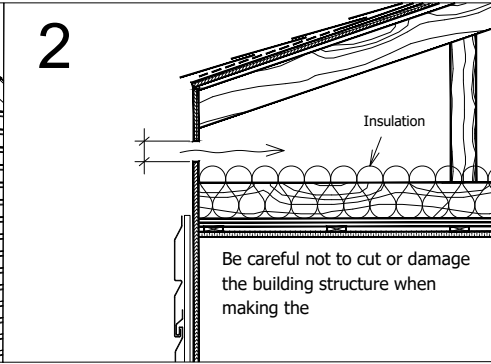


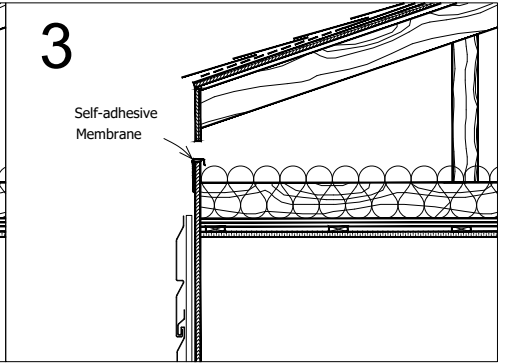
Installation for the Anti-Gust Wall Soffit (new and existing construction)



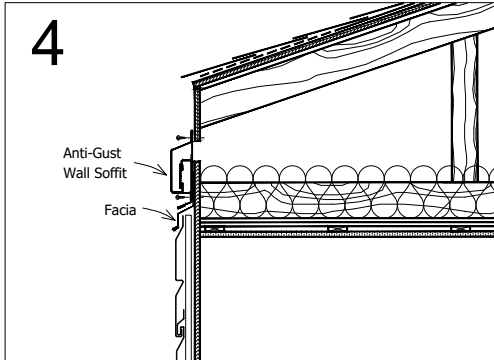
1
On an existing building, remove a section of exterior siding at the chosen installation location. If you are installing on a new building, please skip to step 2.



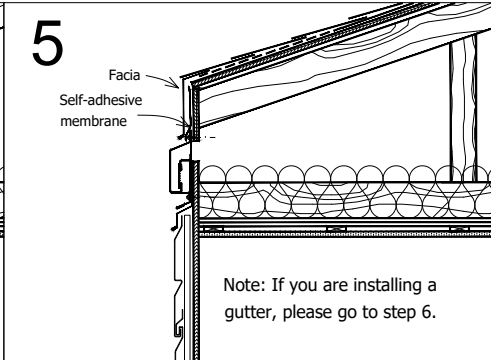
2
Create an opening in the building wall. Make sure that this opening is over the attic insulation. This opening should equal to the dimension of the soffit ordered. (either 1.25" or 1.75" depending on the model)



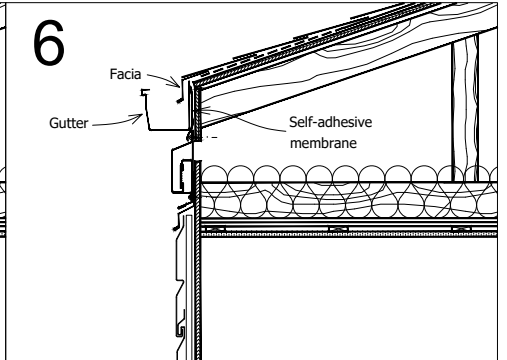
3
Install a self adhesive membrane on the top and lower portion of the opening, as shown.



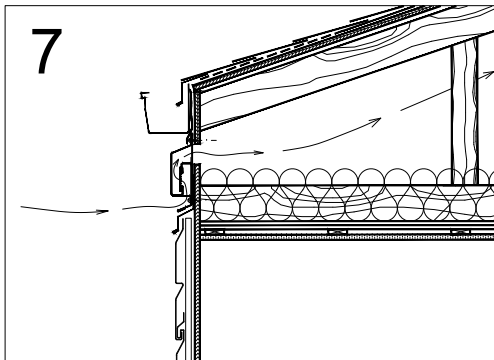
4
Place a fascia over the exterior siding and attach the Anti-Gust Wall Soffit over it using screws or nails at the location shown. (coordinate this installation depending on the installation location and exterior siding)



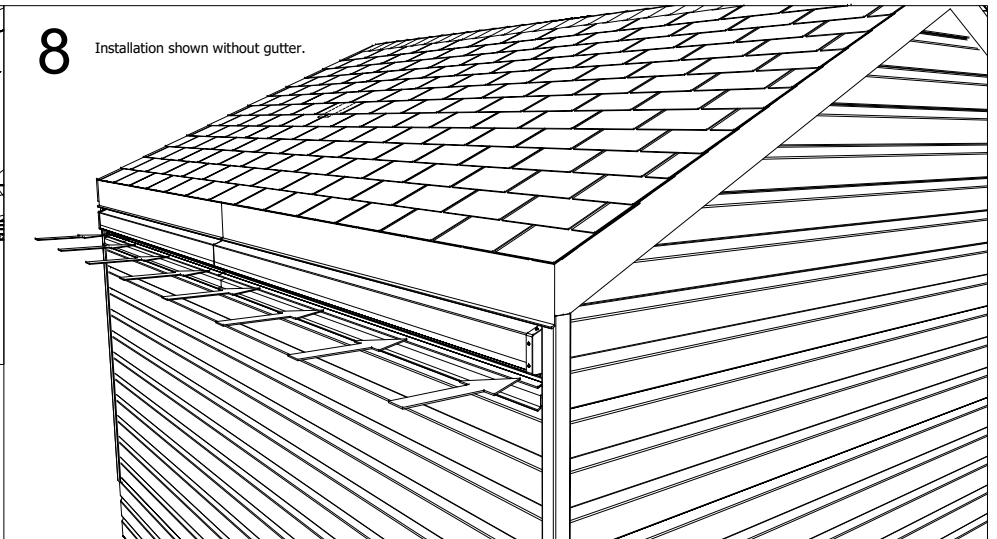
5
Install a self-adhesive membrane over the edge of the Anti-Gust Wall Soffit. Re-install or install a fascia and/or the exterior siding over the soffit.



6
For the gutter installation (if needed), install a self-adhesive membrane over the top edge of the soffit to prevent a direct contact between the gutter and the soffit. Complete the installation of the gutter and the fascia as shown.



7
Air circulation through the Anti-Gust Wall Soffit .



8
Installation shown without gutter.