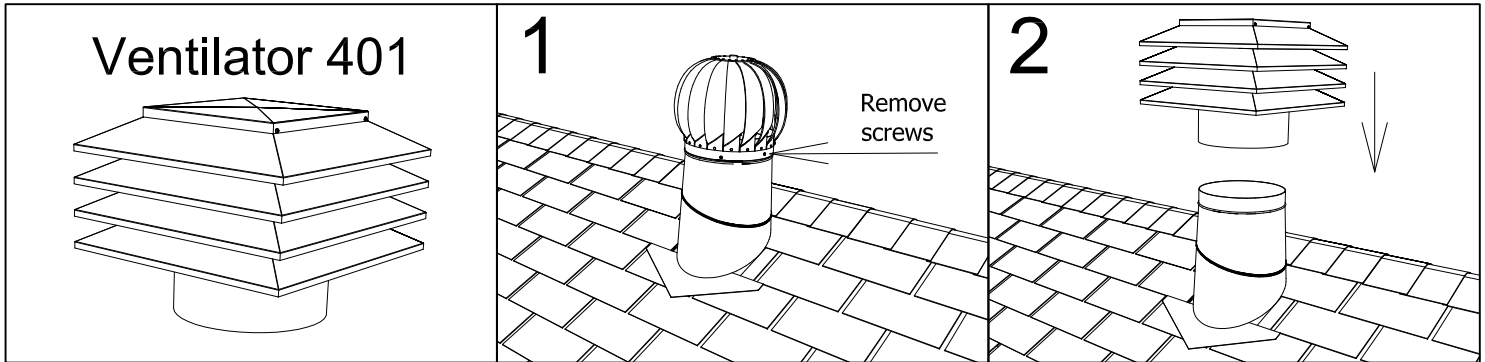
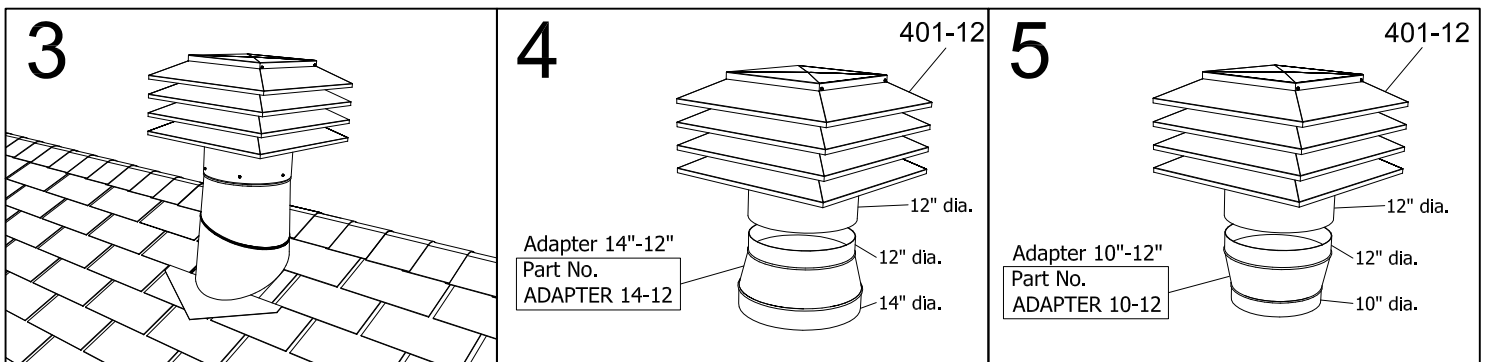


Turbine replacement using Ventilator 401



Remove the screws that are securing the turbine head onto the base flashing. Verify that the base is in good and solid condition as well as the sealant to prevent any rain or snow infiltrations.

Place ventilator 401 over base, making sure it is level and that all four louvers pass the peak.



Secure in place with self tapping screws (supplied by contractor).

In the event that the base of the turbine is 14" diameter, please order: ADAPTER 14-12 with VMAX-401-12.

In the event that the base of the turbine is 10" diameter, please order: ADAPTER 10-12 with VMAX-401-12.

