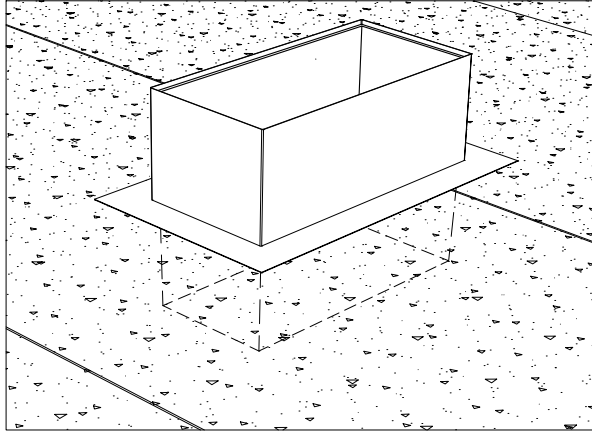


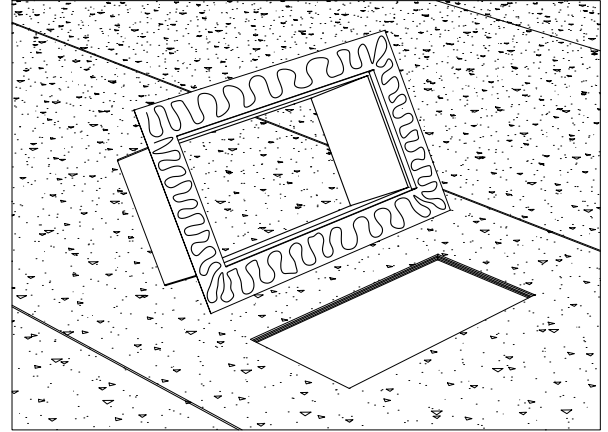
# Installation of the roof exhaust CTM-MB for flat roof with membrane (for new and existing roof)

1



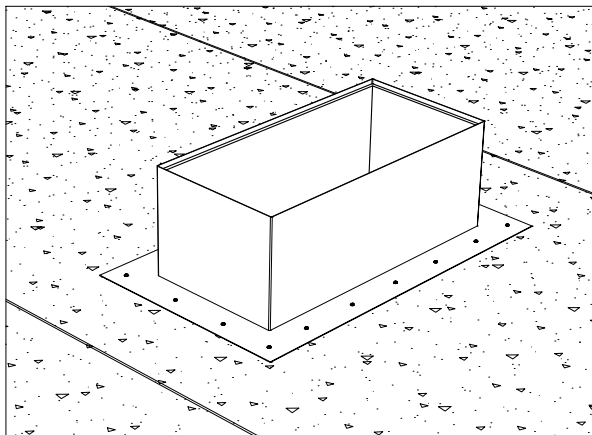
Place the flashing on the roof at the desired location. Make sure the opening is located between the structural beams. Trace a line on the roof from inside the curb.

2



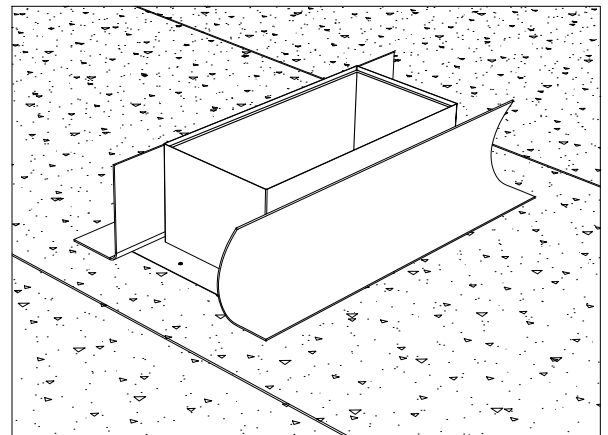
Cut an opening in the roof following your traced line. Apply an amount of bitumen under and along the perimeter of the curb.

3



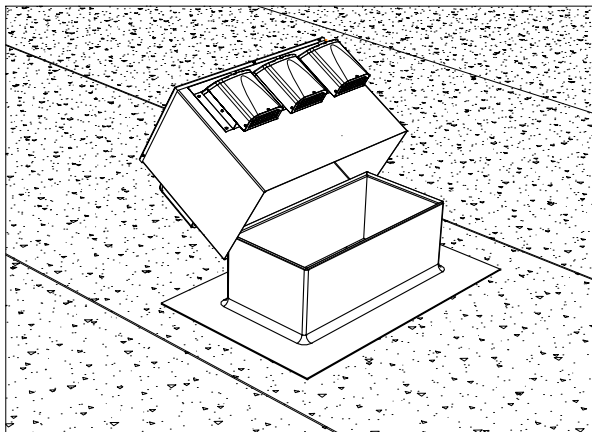
Install the curb centered on the opening and fasten it to the roof using screws. (fasteners supplied by the contractor)

4



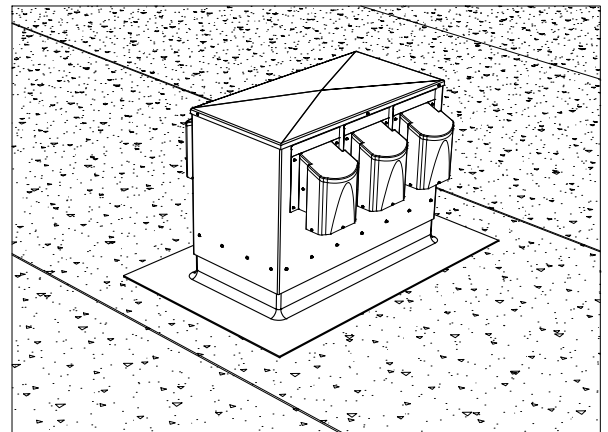
Waterproof the flashing by installing a membrane on all its horizontal and vertical surfaces. Follow the installation instructions recommended by the membrane manufacturer.

5



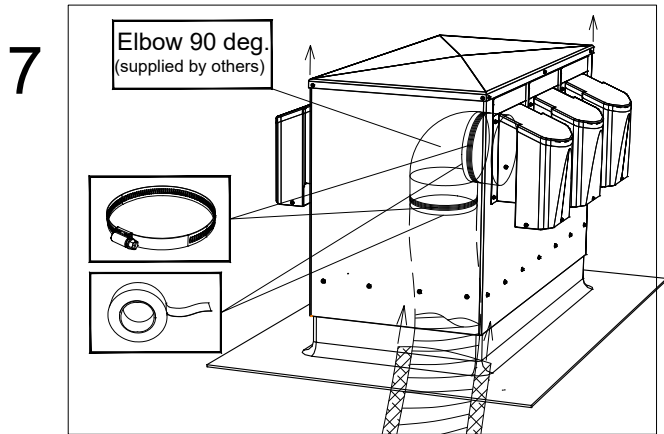
Place the head of the CTM over its flashing.

6

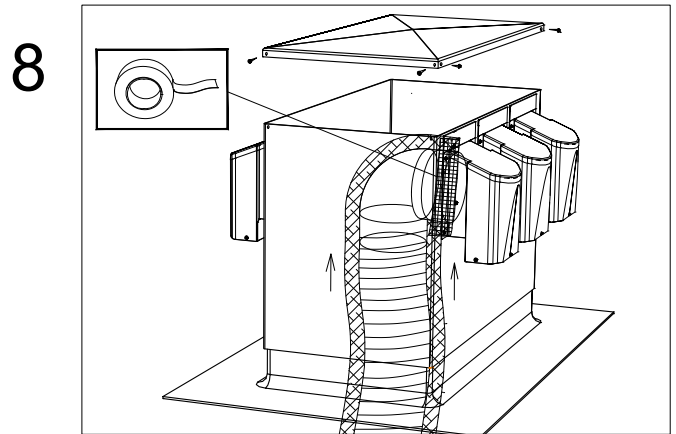


Install the head of the CTM on its flashing by fastening it to the flashing using the supplied self-tapping screws. Make sure to install the screws at a minimum height of 203mm (8") from the finished roof system.

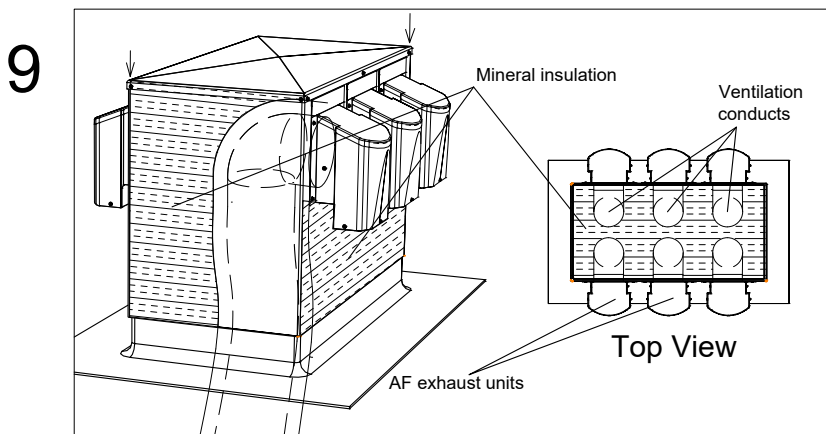
# Installation of the roof exhaust CTM-MB for flat roof with membrane (for new and existing roof)



Remove the top cover of the CTM and install a 90deg elbow of the right size over the collar of the AF traps, using an adjustable collar. Secondly, install a duct (flexible 2in insulated duct is recommended) around the 90 deg. elbow using an adjustable collar. Seal all connections using a good quality duct tape.



Fold the polythene (vapor barrier) over the insulation and push it to the bottom of the roof exhaust unit to ensure that the entire duct is covered. Finish by fixing it with a good quality duct tape. Ensure there are no exposed or uninsulated duct sections.



Fill-in the remaining space around the duct with mineral insulation and re-install the cover of the CTM-MB, making sure of tightening all screws.