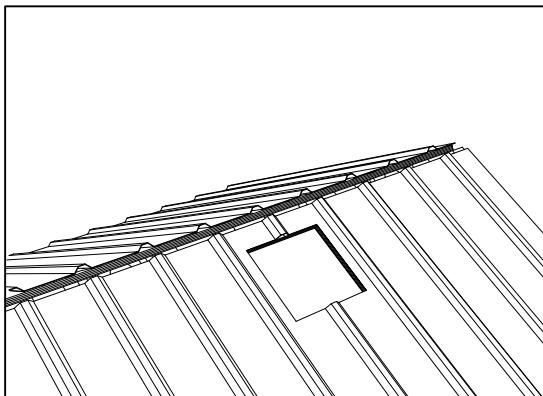


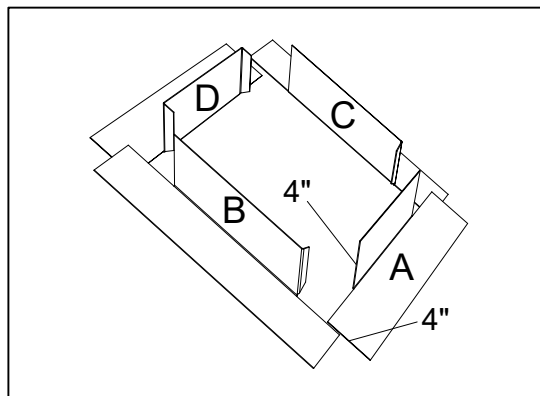
## Slope Flashing Installation Instructions on metal roofs (existing construction) for Model CT-AD-12

1



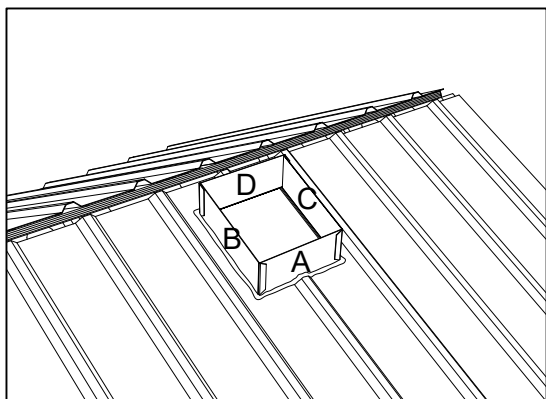
Locate where the roof exhaust/inlet unit will be located and cut out an opening in the roof deck to reflect the same size opening of the sloped flashing to be installed.

2



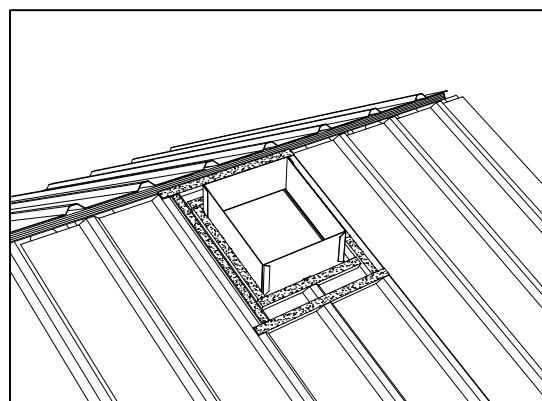
A galvanized metal counter flashing (4" high x 4" flange) as illustrated above will need to be installed, this item is sold separately.

3



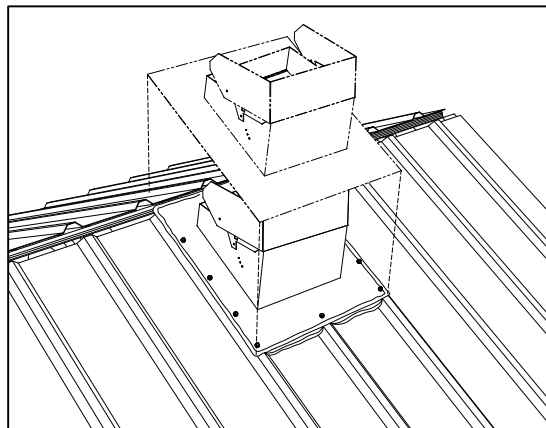
Remove a few screws and lift metal roof, slide counter flashing parts (A, B, C, and D) between wood and metal components. Re-install screws and seal all joints with bitumen tape or caulking.

4



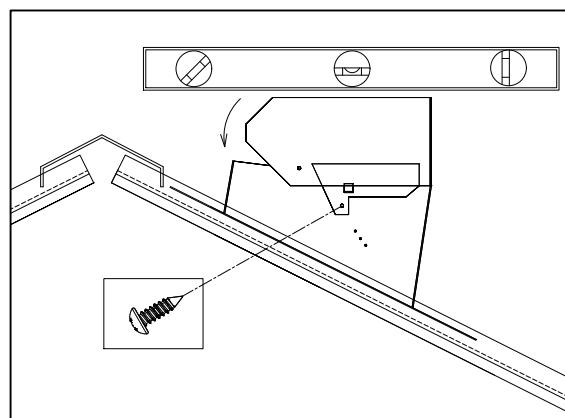
Install 2 rows of compressible foam tape.

5



Install slope flashing over the counter flashing and fasten onto metal roof and deck (screws supplied by contractor). Install a quality bitumen sealant around the perimeter of the flashing, filling up all gaps between metal and flashing.

6

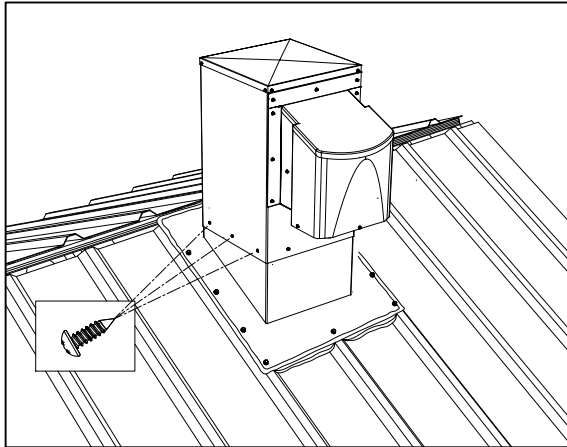


If slope is less than 6/12 , skip to step 7.

If slope is from 6/12 to 15/12, use a level to adjust the top portion of the adjustable flashing until it is level. Secure in place on each side with the screws provided, as per illustration.

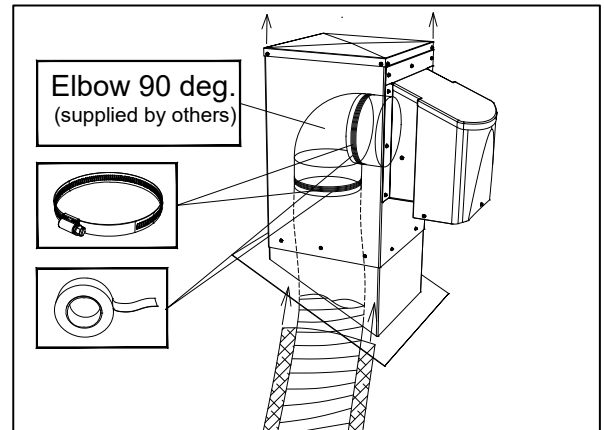
## Slope Flashing Installation Instructions on metal roofs (existing construction) for Model CT-AD-12

7



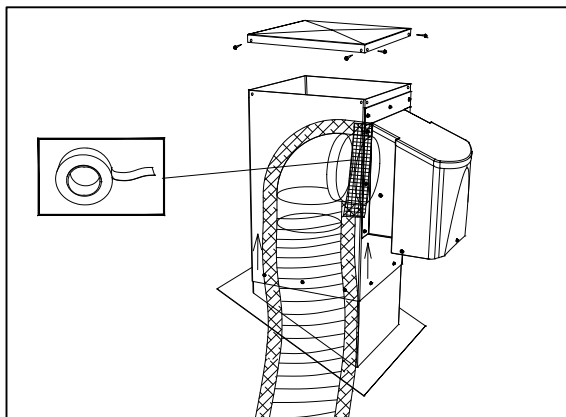
Install CT-AD-12 head onto the flashing, making sure it is level and secure to the flashing using screws provided into each of the perforations.

8



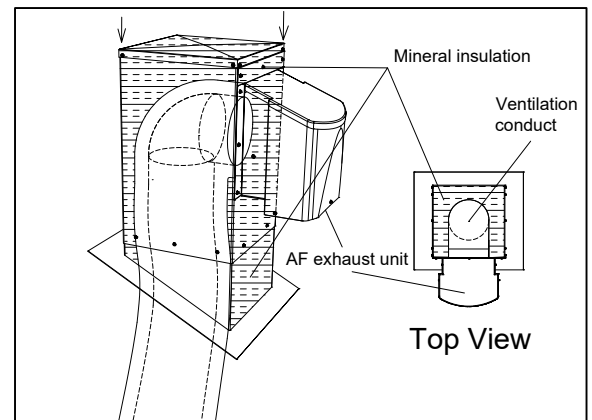
Remove the top cover of the CT-AD-12 and install an 90deg elbow of the right size over the collar of the AF trap, using an adjustable collar. Secondly, install a duct (flexible 2in insulated duct is recommended) around the 90 deg. elbow using an adjustable collar. Seal all connections using a good quality duct tape.

9



Fold the polythene (vapor barrier) over the insulation and push it to the bottom of the roof exhaust unit to ensure that the entire duct is covered. Finish by fixing it with a good quality duct tape. Ensure there are no exposed or uninsulated duct sections.

10



Fill-in the remaining space around the duct with mineral insulation and re-install the cover of the CT-AD-12, making sure of tightening all screws.