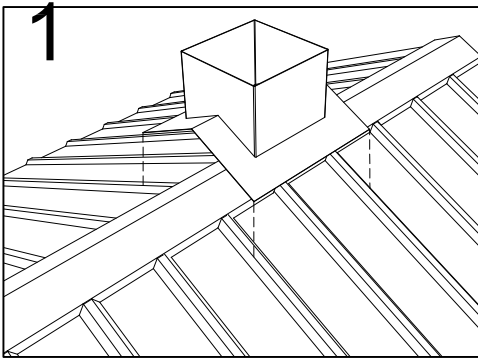


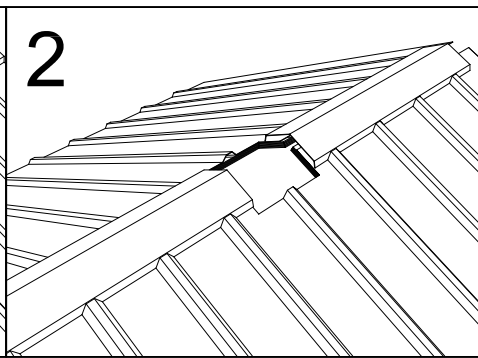
Ridge Flashing Installation Instructions

on metal roofs (existing construction)

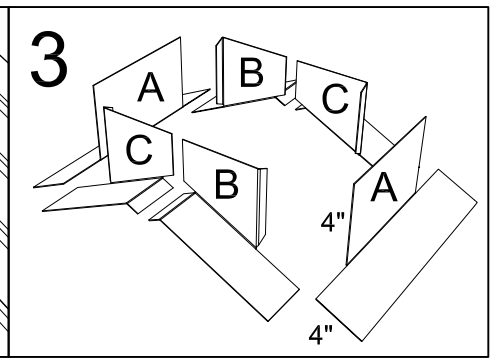
for Models 301-302-303



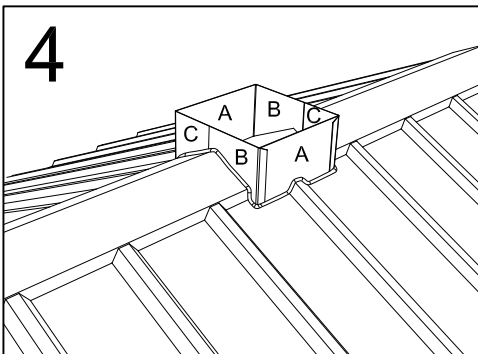
1
Place ridge flashing over existing metal roof and trace using the inside of the duct as template.



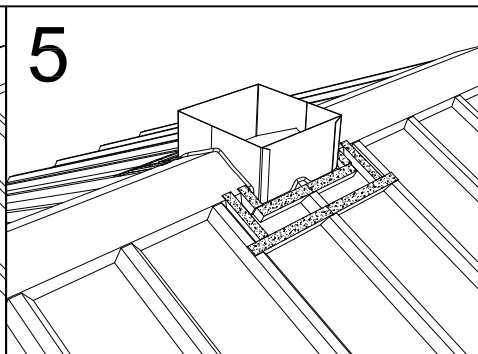
2
Cut out opening in roof deck to reflect the marked area.



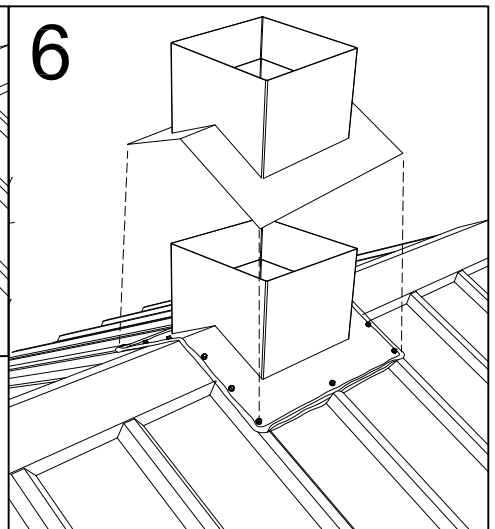
3
Fabricate a galvanized metal counter flashing (4" high x 4" flange) as illustrated above, supplied by contractor.



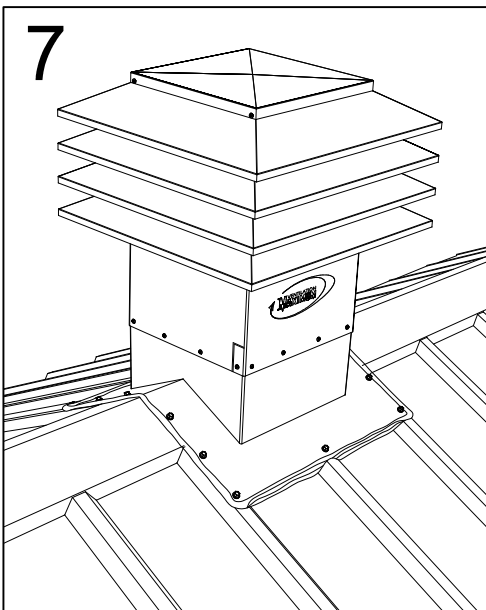
4
Remove a few screws and lift ridge flashing and metal roof, slide counter flashing parts (A-A, B-B and C-C) between wood and metal components. Re-install screws and seal all joints with bitumen tape or caulking.



5
Install 2 rows of closer foam.



6
Install ridge flashing over the counter flashing and fasten onto metal roof and deck (screws supplied by contractor). Install a quality bitumen sealant around the perimeter of the flashing, filling up all gaps between metal and flashing.



7
Install ventilator head over the ridge flashing, making sure it is level and fasten with screws provided into each of the perforated holes.
(Model 301 shown)