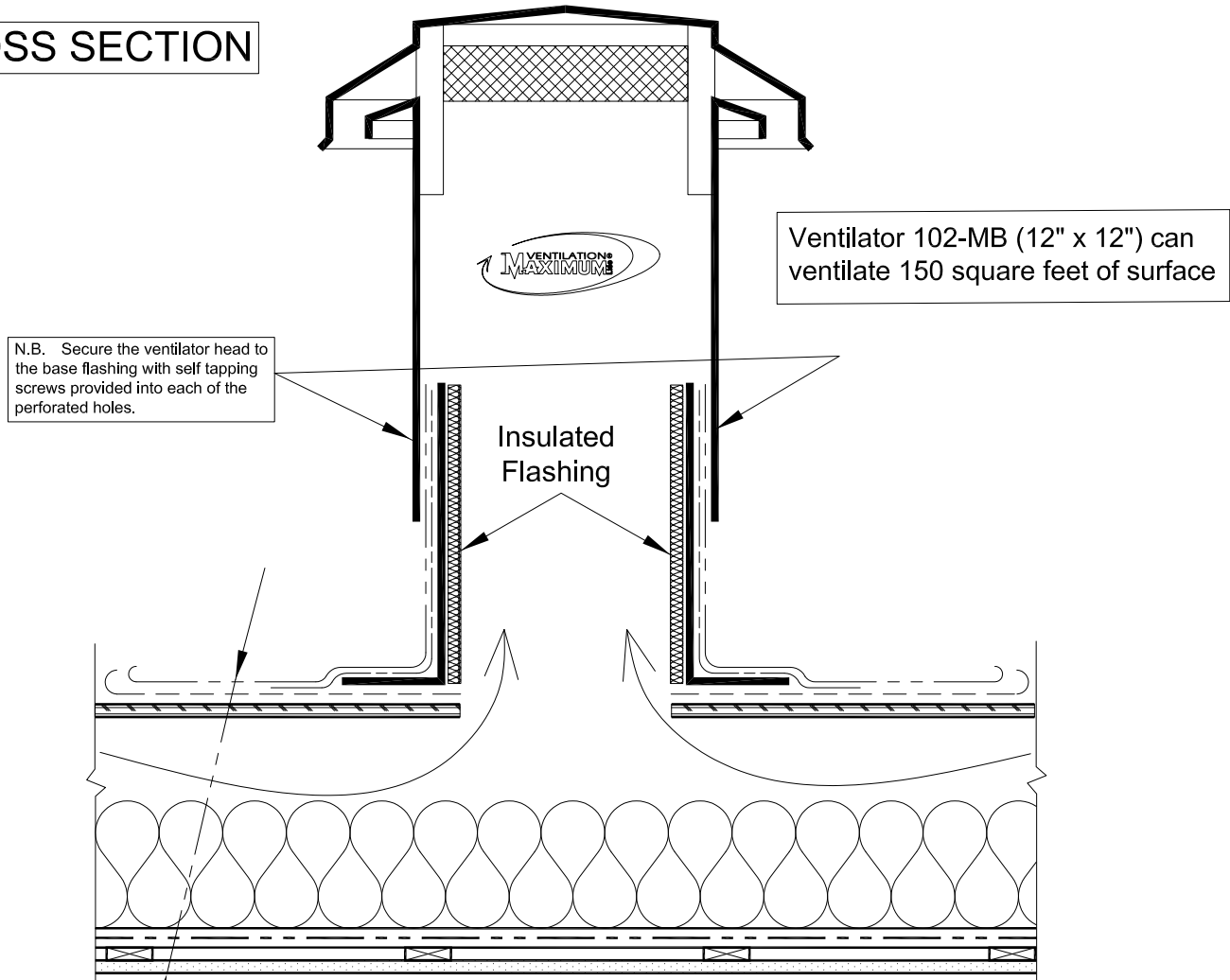


# MODEL 102-MB

Application for  
Modified Membrane Application

## CROSS SECTION

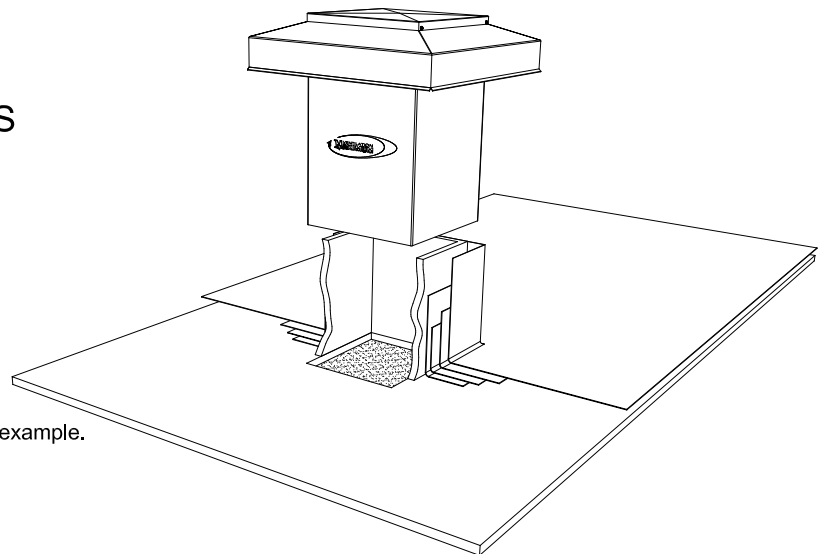


N.B. Secure the ventilator head to the base flashing with self tapping screws provided into each of the perforated holes.

Ventilator 102-MB (12" x 12") can ventilate 150 square feet of surface

- ROOF MEMBRANES
- ROOF DECK
- AIR SPACE
- INSULATION
- VAPOR BARRIER
- FURRINGS
- GYPSUM

This CROSS SECTION is only an example.  
(VENTILATION MAXIMUM Ltd.)



**IMPORTANT NOTICE:**  
Refer to section 9.19.1.2 of the  
National Building Code for  
required ventilation.