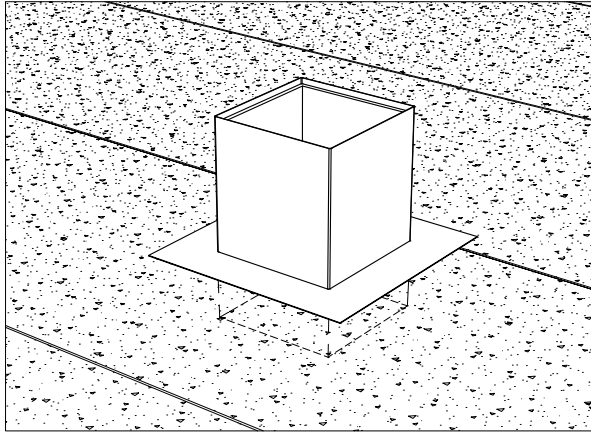


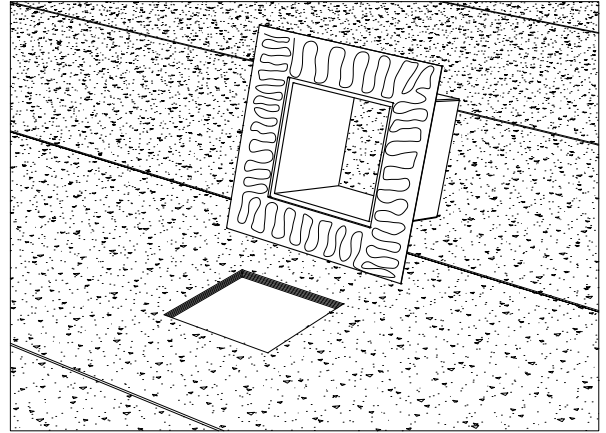
Installation of the roof exhaust 201-12-MB for flat membrane roof (for new and existing roof)

1



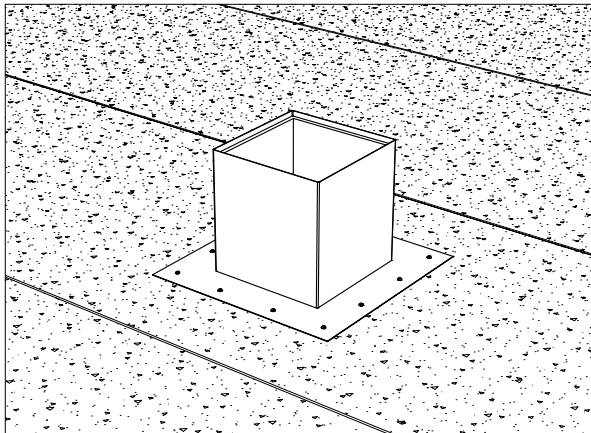
Place the flashing on the roof at the desired location. Make sure the opening is located between the structural beams. Draw a line on the roof from inside the flashing.

2



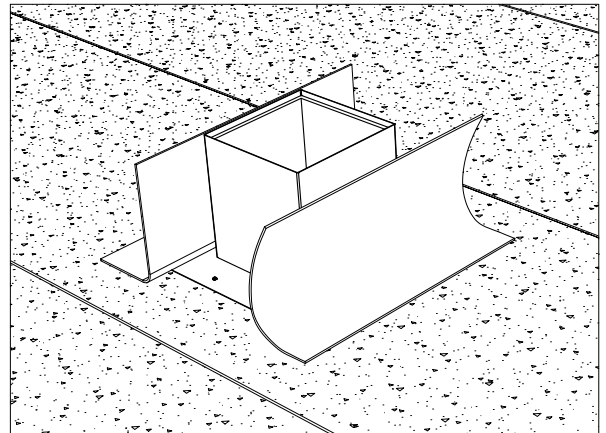
Cut an opening in the roof following your traced line. Apply a generous amount of bitumen under and along the perimeter of the insulated flashing.

3



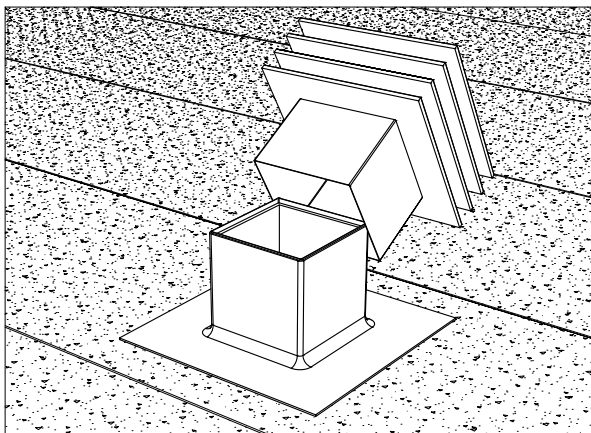
Install the flashing centered on the opening and fasten it to the roof using screws. (fasteners supplied by the contractor)

4



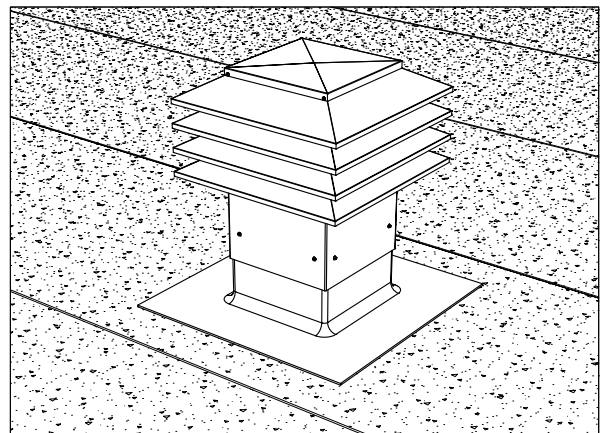
Waterproof the flashing by installing a membrane on all its horizontal and vertical surfaces. Follow the installation instructions recommended by the membrane manufacturer.

5



Place the head of the ventilator over its flashing.

6



Install the head of the ventilator on its flashing by fastening it using the supplied self-tapping screws. Make sure to install the screws at a minimum height of 203mm (8") from the finished roof system.