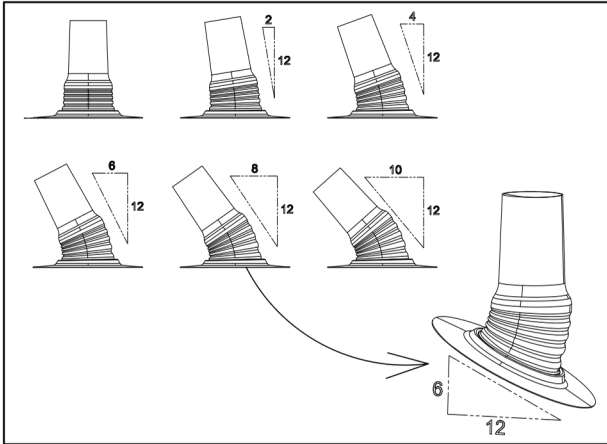


VENTILATION MAXIMUM

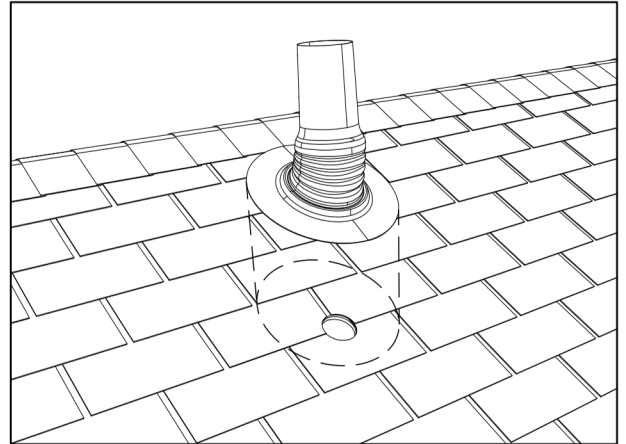
Installation of the plumbing vent (new and existing roof)

1



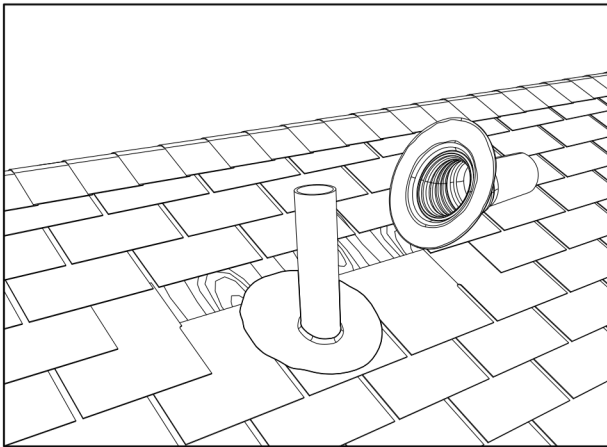
Using the bending tool, form the vent according to the slope of the roof, before installation (from flat roof to a slope of 10/12).

2



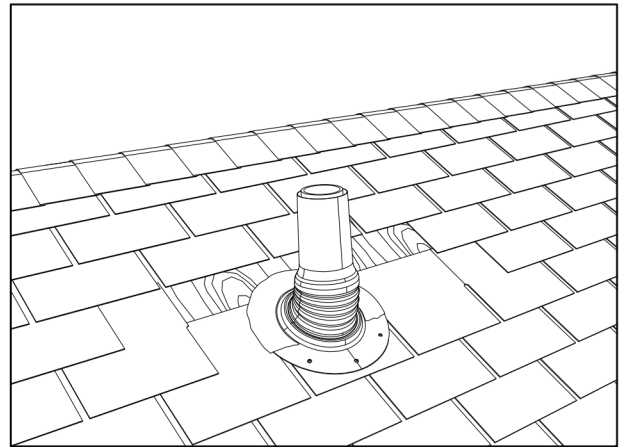
Upon locating the plumbing vent in the attic space, trace and cut a hole at the desired location and to the pipe size diameter. The opening may be located anywhere on the roof deck.

3



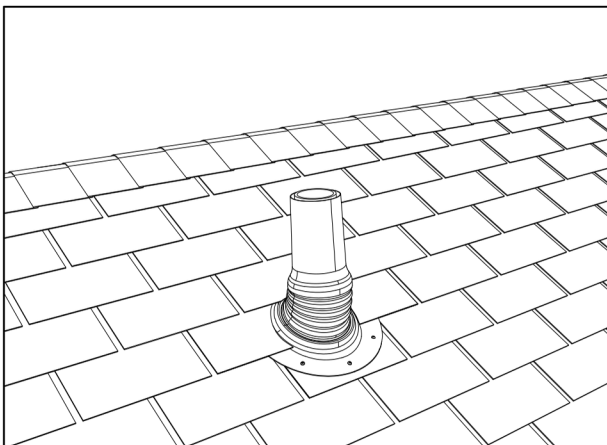
Following the ABS vent pipe installation by the plumbing contractor, carefully remove shingles around the perimeter of the hole to expose the deck and the lower shingles, then apply a generous amount of roofing cement around the perimeter of the hole and under the flashing of the vent.

4



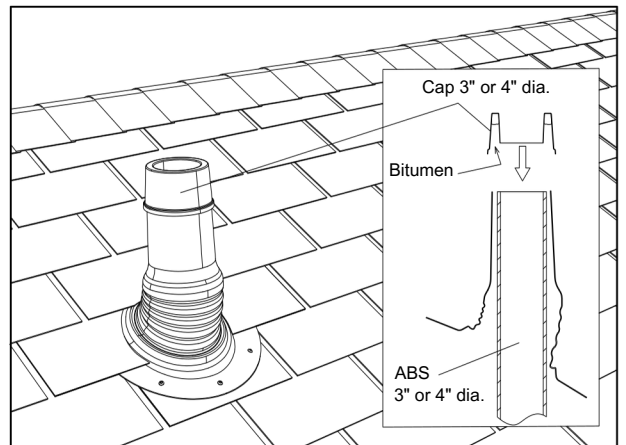
Install the vent over the opening and onto the roofing cement, securing it to the deck. (screws supplied by other). Apply roofing cement on the top portion of the flashing and halfway down each side.

5



Cut and carefully re-install the shingles removed at step 3.

6



Fix the cap (3" ou 4" dia.) on the vent by applying roofing cement on the inside of the cap, on the top edge of the vent and the ABS pipe. Make sure that you press down the cap outside the vent and inside the ABS pipe.