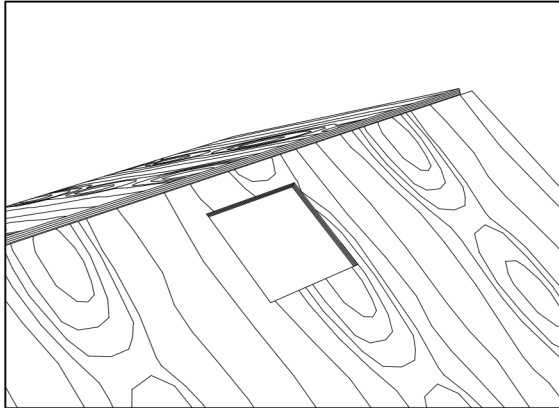


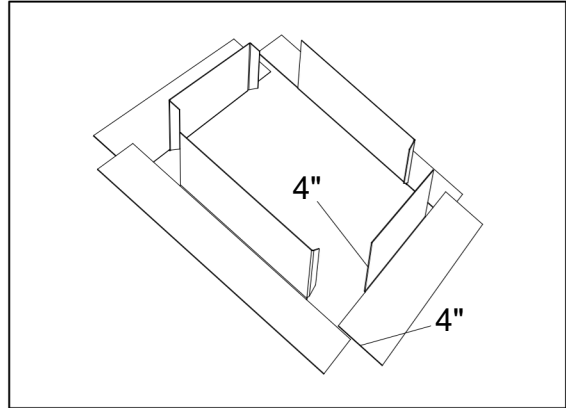
Slope Flashing Installation Instructions on metal roofs (new construction) for Model CT-AD-12

1



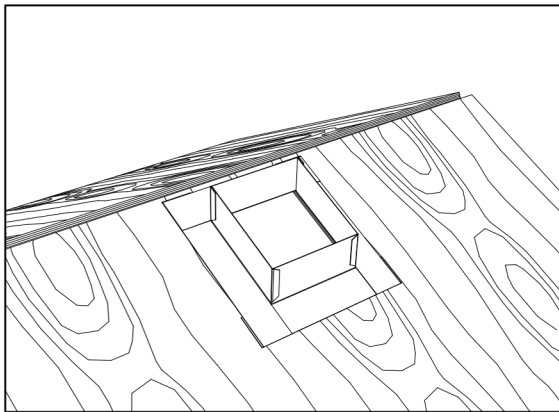
Cut out opening in roof deck to reflect the same size opening of the slope flashing to be installed.

2



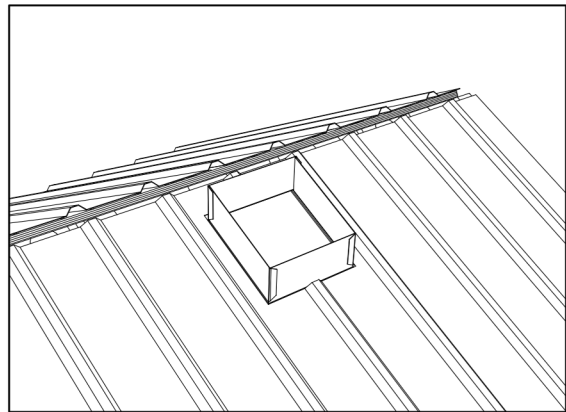
A galvanized metal counter flashing (4" high x 4" flange) as illustrated above will have to be installed, this unit is sold separately.

3



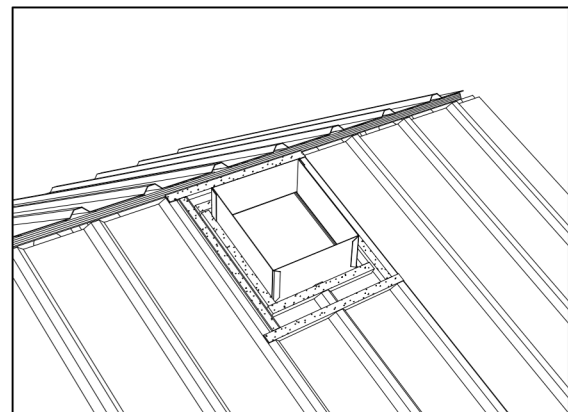
Assemble and fasten the counter flashing onto roof deck around the perimeter of the opening.

4



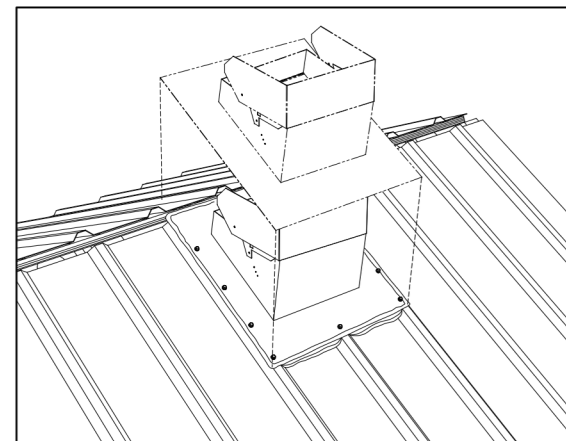
Install metal roof over the counter flashing as illustrated above and then seal around all joints with bitumen tape or caulking.

5



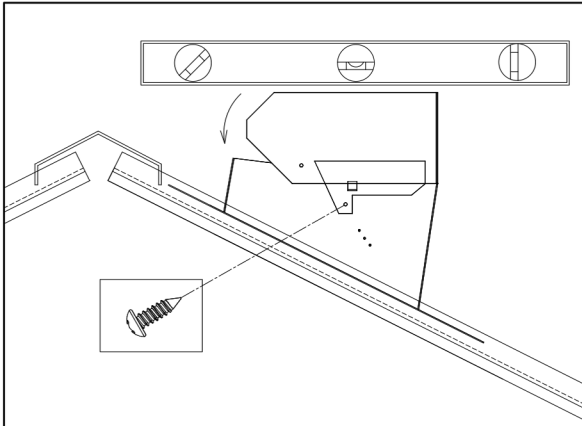
Install 2 rows of compressible foam tape as illustrated above.

6



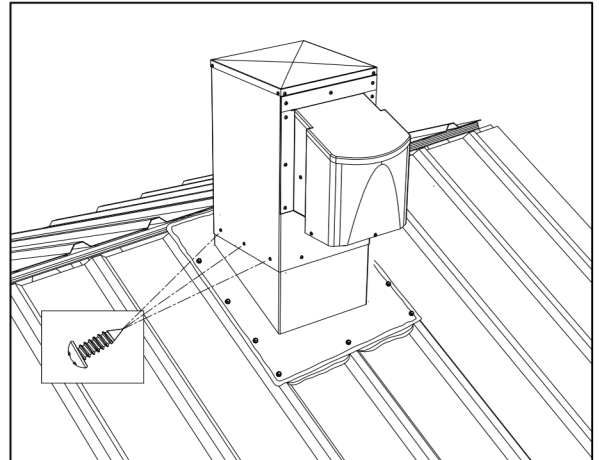
Install slope flashing over the counter flashing and fasten onto metal roof and deck (screws supplied by contractor). Install a quality bitumen sealant around the perimeter of the flashing, filling up all gaps between metal and flashing.

7



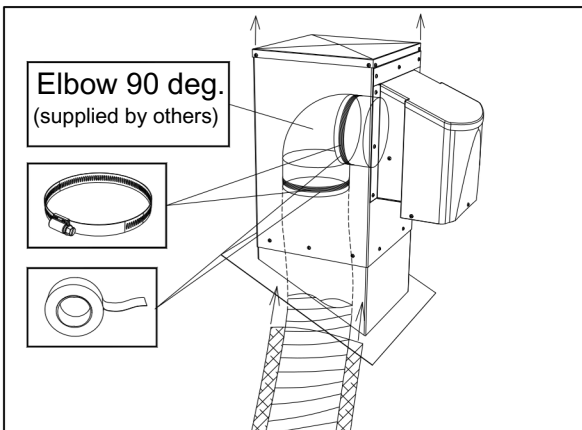
If slope is less than 6/12, skip to step 8. If slope is 6/12 to 15/12, use level to adjust the top portion of the Adjustable Flashing until it is level. Secure in place on each side with the screws provided, as per illustration.

8



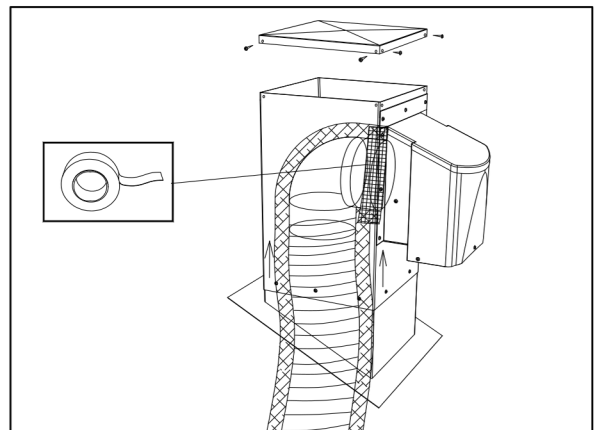
Install CT-AD-12 head onto the flashing, making sure it is level and secure to the flashing using screws provided into each of the perforations.

9



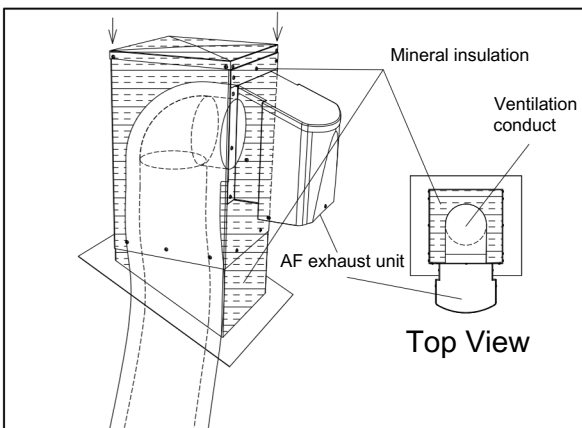
Remove the top cover of the CT-AD-12 and install an 90deg elbow of the right size over the collar of the AF trap, using an adjustable collar. Secondly, install a duct (flexible 2in insulated duct is recommended) around the 90 deg. elbow using an adjustable collar. Seal all connections using a good quality duct tape.

10



Fold the polythene (vapor barrier) over the insulation and push it to the bottom of the roof exhaust unit to ensure that the entire duct is covered. Finish by fixing it with a good quality duct tape. Ensure there are no exposed or uninsulated duct sections.

11



Fill-in the remaining space around the duct with mineral insulation and re-install the cover of the CT-AD-12, making sure of tightening all screws.