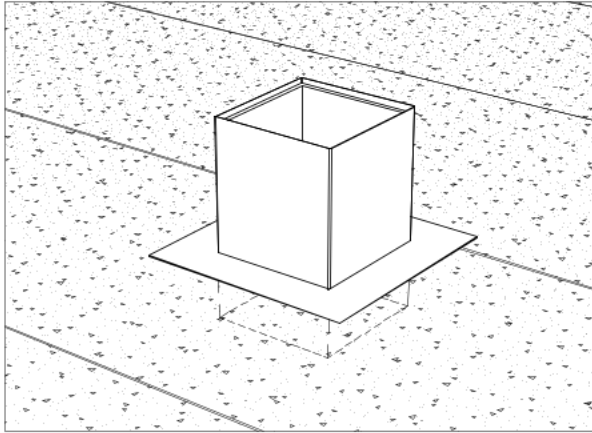
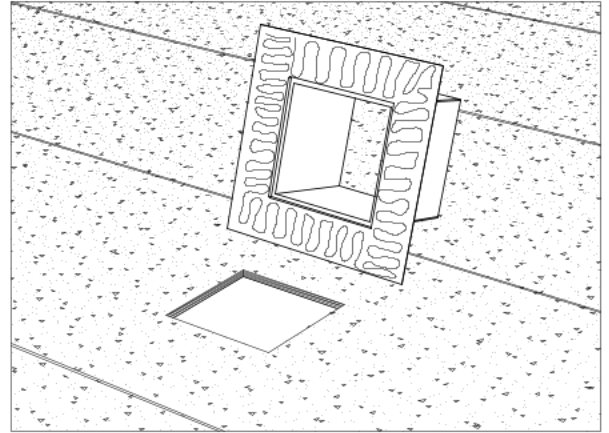


1



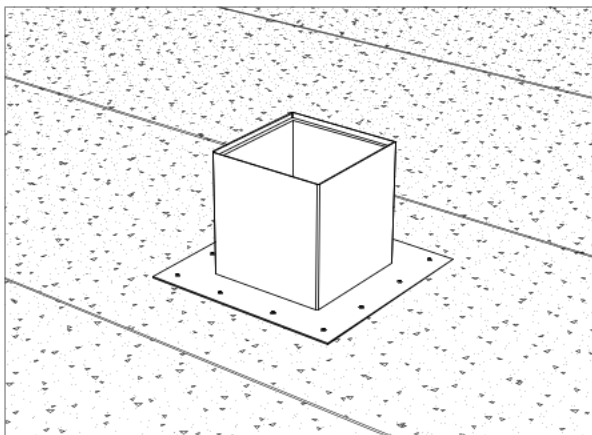
Place the flashing on the roof at the desired location. Make sure the opening is located between the structural beams. Trace a line on the roof from inside the flashing.

2



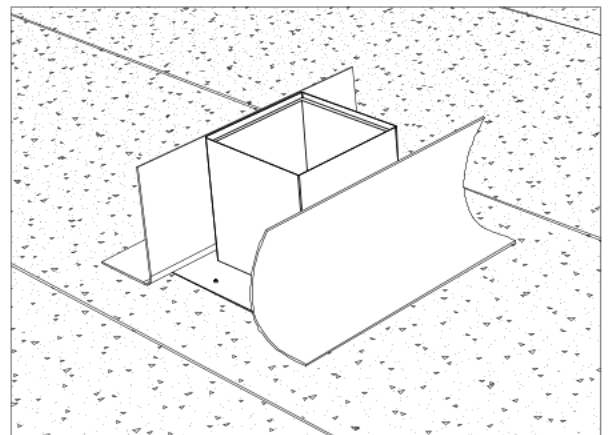
Cut an opening in the roof following your traced line. Apply a generous amount of bitumen under and along the perimeter of the insulated flashing.

3



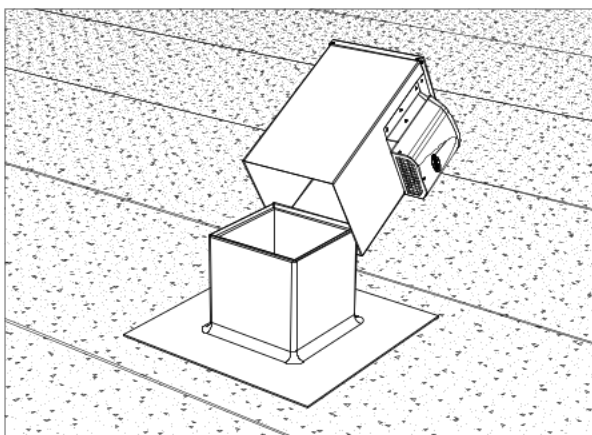
Install the flashing centered on the opening and fasten it to the roof using screws. (fasteners supplied by the contractor)

4



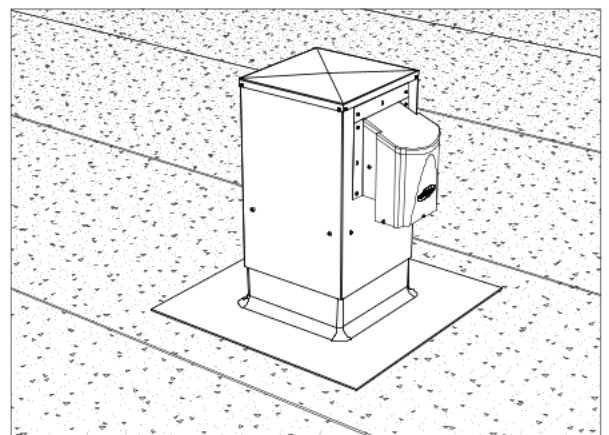
Waterproof the flashing by installing a membrane on all its horizontal and vertical surfaces. Follow the installation instructions recommended by the membrane manufacturer.

5



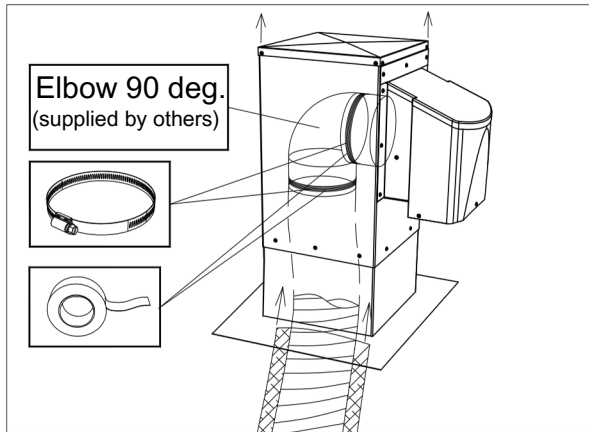
Place the head of the ventilator over its flashing.

6



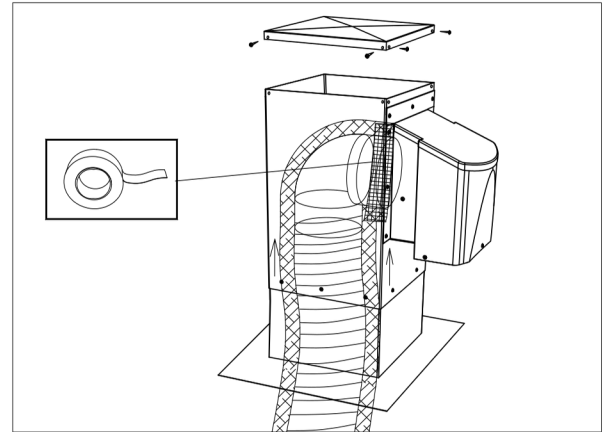
Install the head of the ventilator on its flashing by fastening it using the supplied self-tapping screws. Make sure to install the screws at a minimum height of 203 mm (8") from the finished roof system.

7



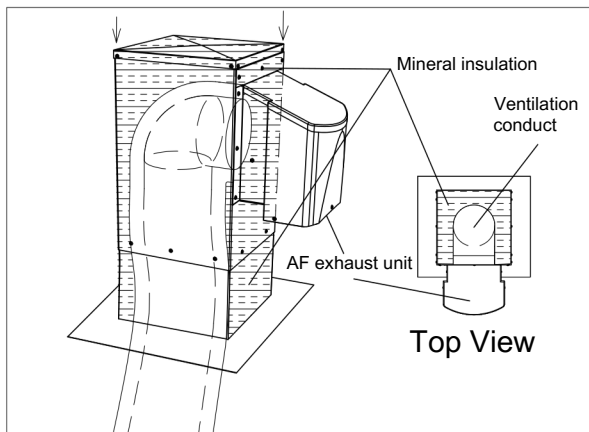
Remove the top cover of the CT-AD-12 and install an 90deg elbow of the right size over the collar of the AF trap, using an adjustable collar. Secondly, install a duct (flexible 2 in insulated duct is recommended) around the 90 deg. elbow using an adjustable collar. Seal all connections using a good quality duct tape.

8



Fold the polythene (vapor barrier) over the insulation and push it to the bottom of the roof exhaust unit to ensure that the entire duct is covered. Finish by fixing it with a good quality duct tape. Ensure there are no exposed or uninsulated duct sections.

9



Fill-in the remaining space around the duct with mineral insulation and re-install the cover of the CT-AD-12, making sure of tightening all screws.