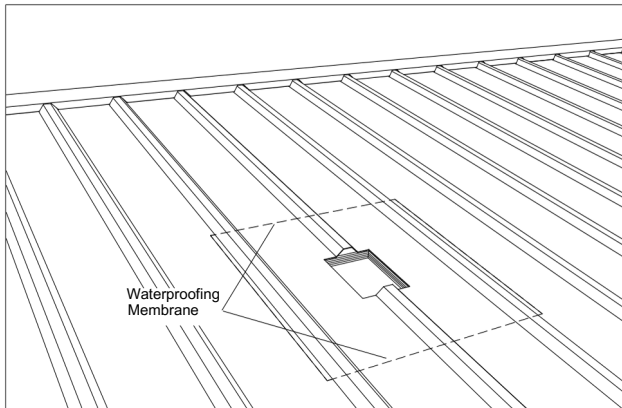


VENTILATION MAXIMUM

Installation of Roof Exhaust CT-4-6-10 (new and existing steel roof)

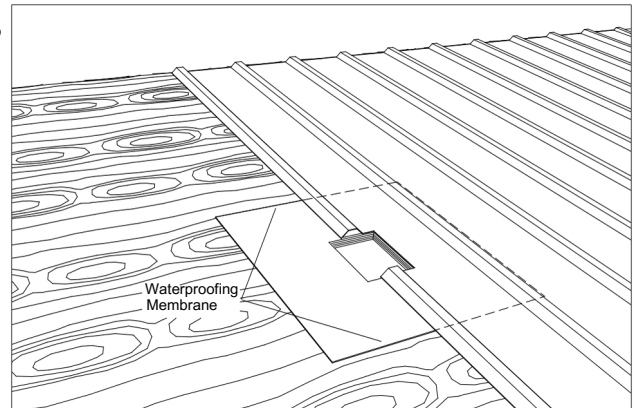
1-A



Existing Roof: Cut an opening of proper size, centered on a joint of a steel roof panel. Unscrew the panels surrounding the opening in order to install a waterproofing membrane around the hole as shown above.

Opening: Strategically choose the location of the roof exhaust considering winter roof snow accumulations. The roof exhaust should be located in an area where snow accumulation is minimized.

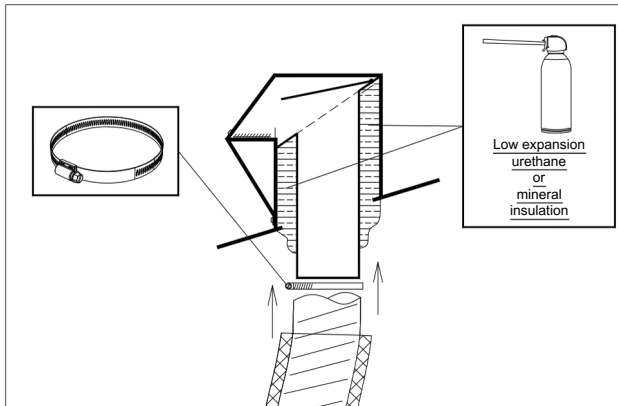
1-B



New roof: Install the steel roof panels up to the location of the exhaust. Install a waterproofing membrane around the opening dedicated to the installation of the roof exhaust as shown above.

Opening: Strategically choose the location of the roof exhaust considering winter roof snow accumulations. The roof exhaust should be located in an area where snow accumulation is minimized.

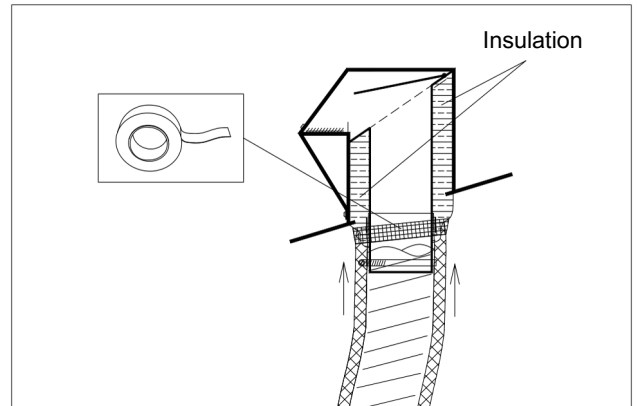
2



Install mineral-type insulation or low expansion urethane type insulation between the flap walls and the exhaust duct. Make sure to install insulation tightly all around the exhaust duct without leaving any empty spaces. Install an insulated flexible duct (2" insulation recommended) on the roof exhaust duct using an adjustable collar. Seal tightly with duct tape.

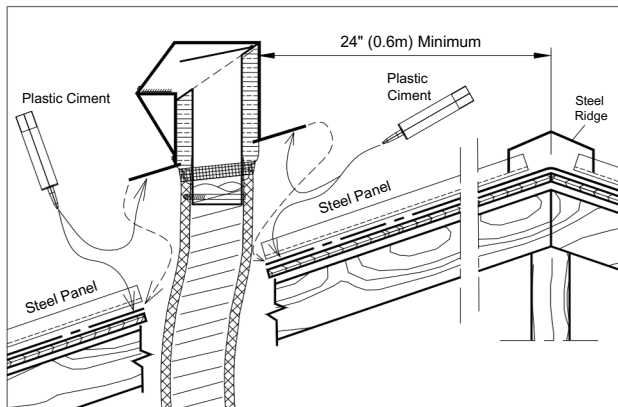
Note: Following the installation of the low expansion urethane type insulation, make sure damper inside the roof exhaust (model CT) is not clogged or jammed with sprayed urethane.

3



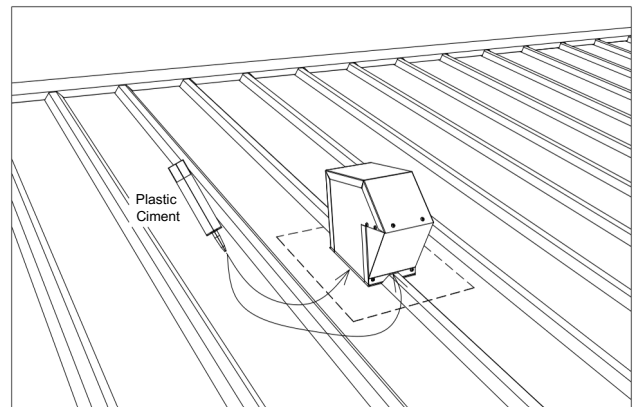
Fold the polythene (vapor barrier) over the insulation and push it to the bottom of the roof exhaust unit to ensure that the entire duct is covered. Finish by fixing it with a good quality duct tape. Ensure there are no exposed or uninsulated duct sections.

4



Apply plastic cement generously around the perimeter of the opening making sure to maintain a width of 4 inches. Slide the flexible duct into the opening, followed by the roof exhaust unit making sure the flashing is fully embedded in the plastic cement and under the steel roof panels.

5



Screw the steel roof panels and the unit to the roof deck. Finish by applying a generous amount of plastic cement to the back, the front and sides of the unit.

Note: if the exhaust unit is used for dryer venting, regular maintenance is required to prevent lint from blocking the roof exhaust grill.

Note: In winter, regular snow removal around the exhaust unit is required to prevent snow accumulation and ice formation.