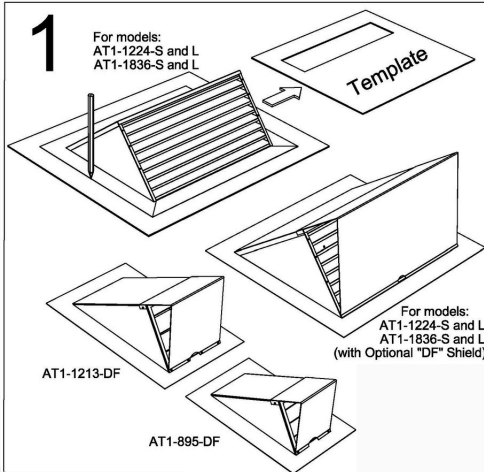
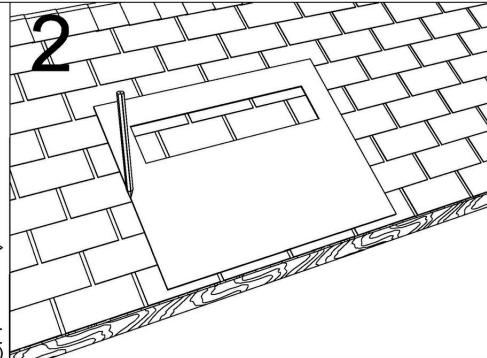


# VENTILATION MAXIMUM

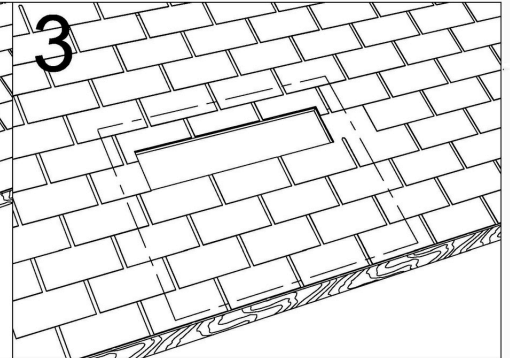
Installation for all Air Intake Vent  
VMAX-AT1 on shingle roofs  
(new and existing construction)



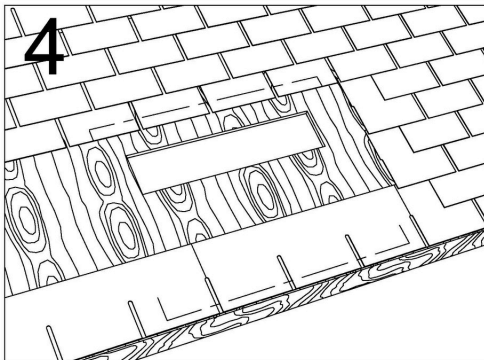
Using cardboard or other thin material, make a template of the underside of the unit including the opening.



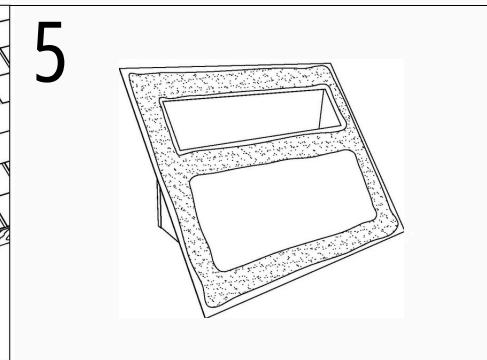
Place template onto desired location, making sure the hole is positioned between the rafters, then trace a line around the perimeter of the template as well as the hole using a chalk.



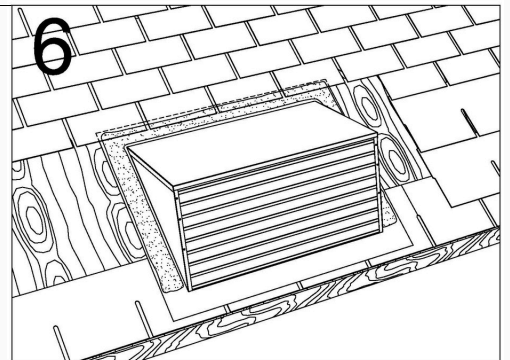
Cut away the shingles and sheathing within the traced line of the hole.



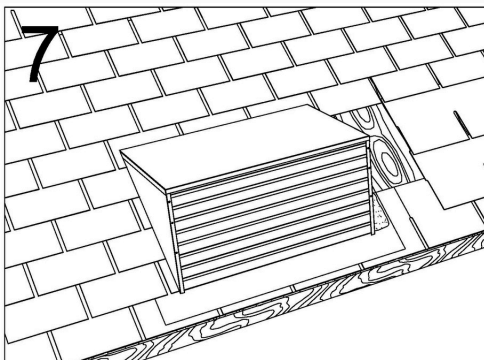
Carefully remove the shingles around the perimeter of the hole to expose deck as per illustration.



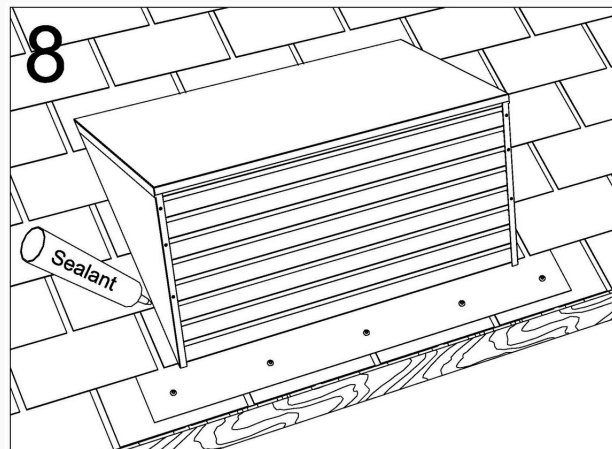
Apply a generous amount of bitumen sealant onto the underside of the flashing, secure to deck with screws. (screws supplied by contractor)



Apply a generous amount of bitumen sealant onto top of flashing as per illustration.



Re-install shingles around flashing and deck complete as per illustration.



Secure bottom flange using galvanized roofing screws with rubber rings. Finish by installing a bead of sealant around perimeter of unit, sealing all joints.