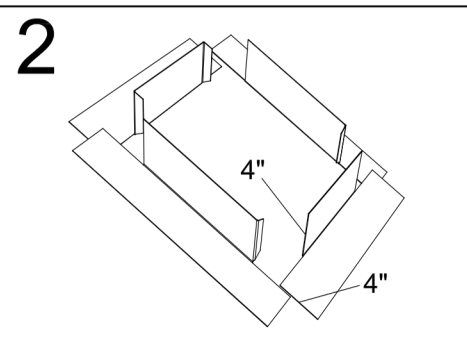
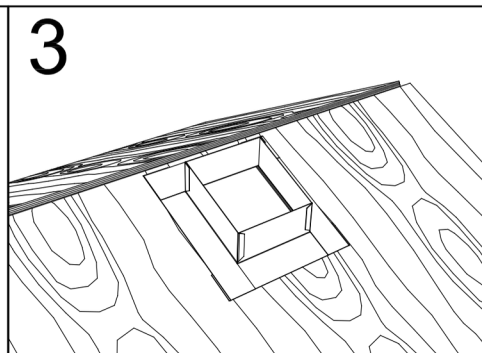


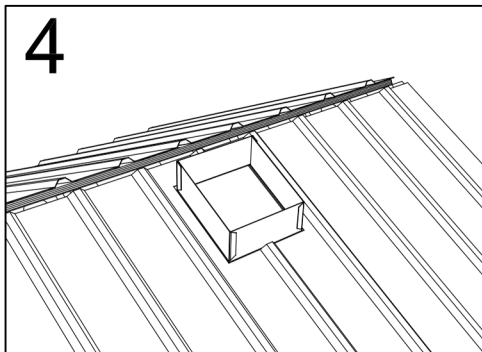
1
Cut out opening in roof deck to reflect the same size opening of the slope flashing to be installed.



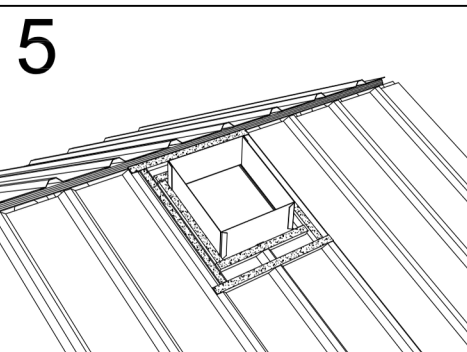
2
Fabricate a galvanized metal counter flashing (4" high x 4" flange) as illustrated above, supplied by contractor.



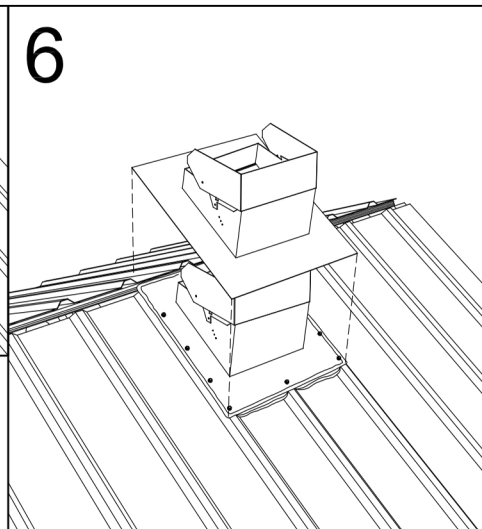
3
Assemble and fasten the counter flashing onto roof deck around the perimeter of the opening.



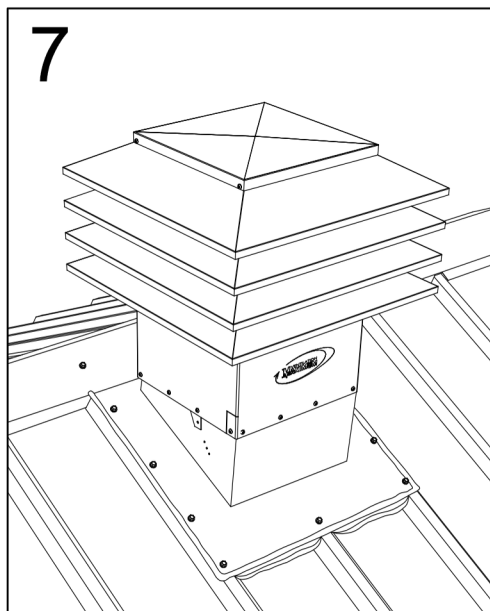
4
Install metal roof over the counter flashing as illustrated above and then seal around all joints with bitumen tape or caulking.



5
Install 2 rows of closer foam.



6
Install slope flashing over the counter flashing and fasten onto metal roof and deck (screws supplied by contractor). Install a quality bitumen sealant around the perimeter of the flashing, filling up all gaps between metal and flashing.



7
Install ridge cap over flashing. Place ventilator head over the slope flashing, making sure it is level and fasten with screws provided into each of the perforated holes. (Model 301 shown)