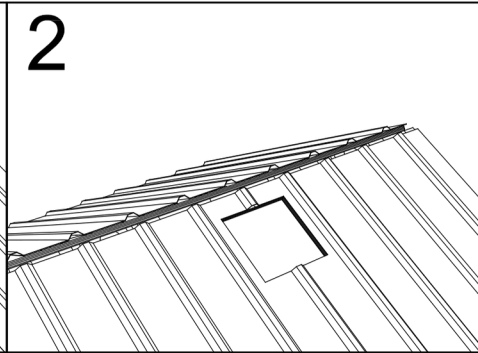
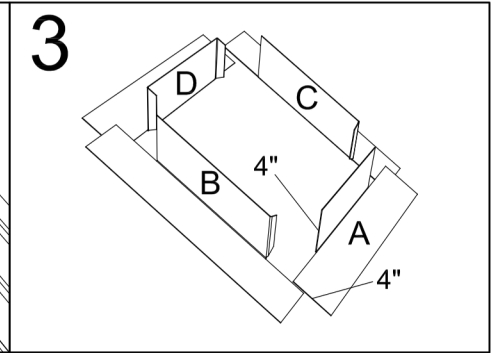


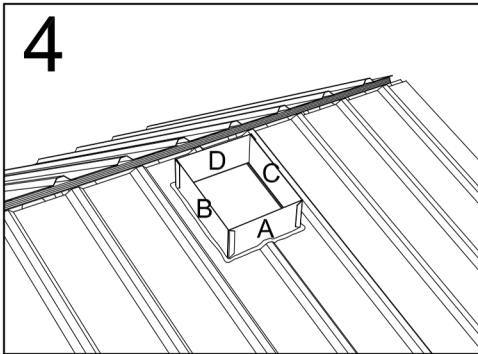
1 Remove ridge cap. Place ridge flashing over existing metal roof and trace using the inside of the duct as template.



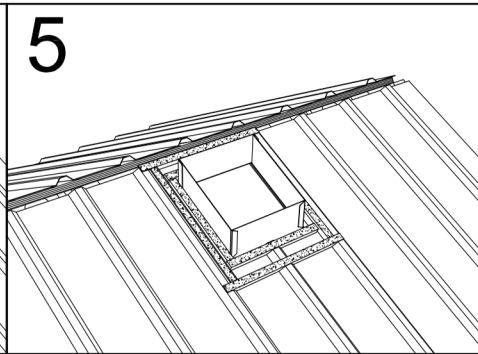
2 Cut out opening in roof deck to reflect the marked area.



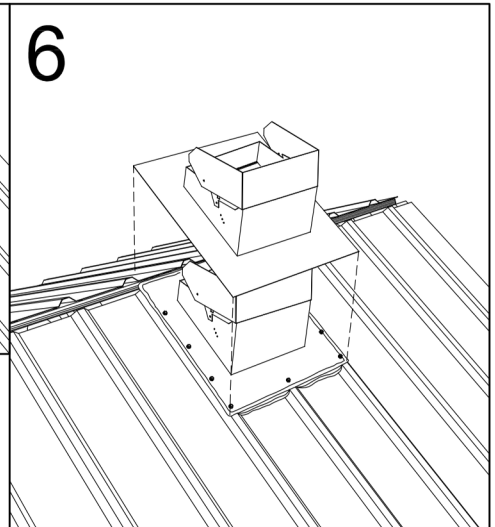
3 Fabricate a galvanized metal counter flashing (4" high x 4" flange) as illustrated above, supplied by contractor.



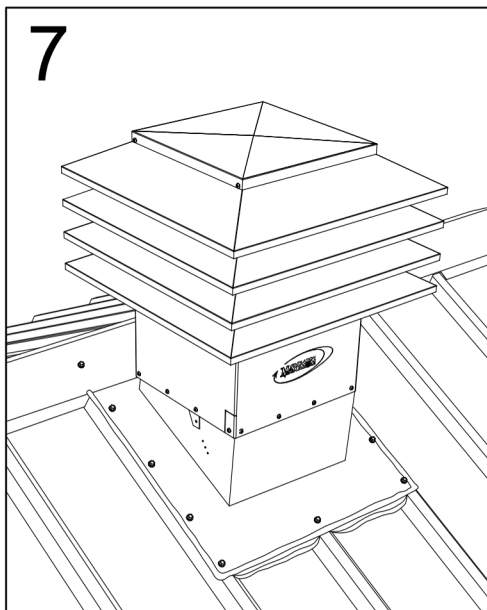
4 Remove a few screws and lift metal roof, slide counter flashing parts (A, B, C, and D) between wood and metal components. Re-install screws and seal all joints with bitumen tape or caulking.



5 Install 2 rows of closer foam.



6 Install slope flashing over the counter flashing and fasten onto metal roof and deck (screws supplied by contractor). Install a quality bitumen sealant around the perimeter of the flashing, filling up all gaps between metal and flashing.



7 Replace ridge cap over flashing. Place ventilator head over the slope flashing, making sure it is level and fasten with screws provided into each of the perforated holes. (Model 301 shown)