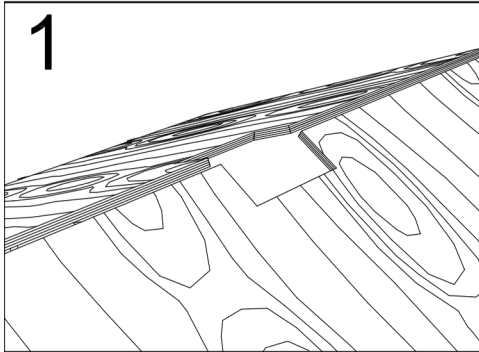
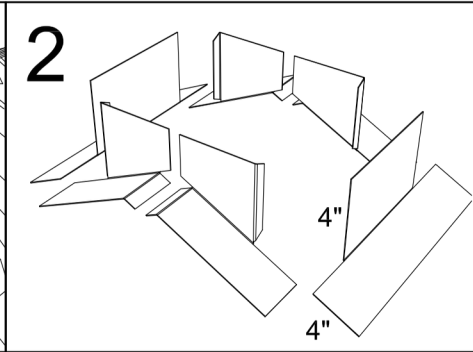


# VENTILATION MAXIMUM

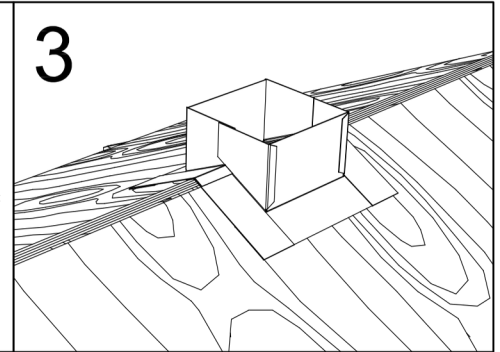
## Ridge Flashing Installation Instructions on metal roofs (new construction) for Models 301-302-303



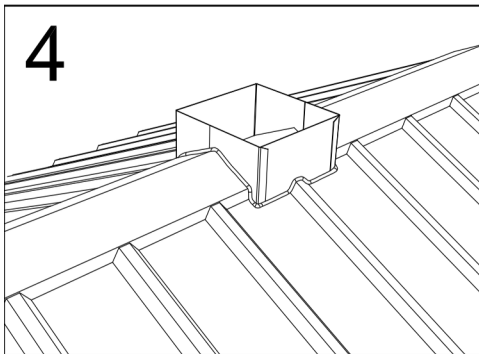
1  
Cut out opening in roof deck to reflect the same size opening of the ridge flashing to be installed.



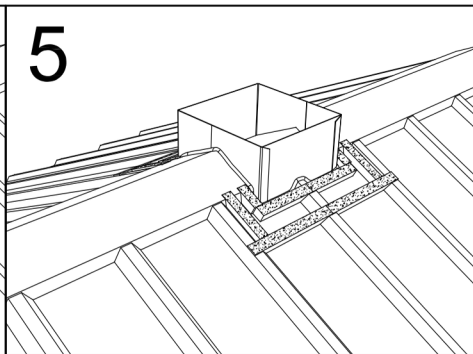
2  
Fabricate a galvanized metal counter flashing (4" high x 4" flange) as illustrated above, supplied by contractor.



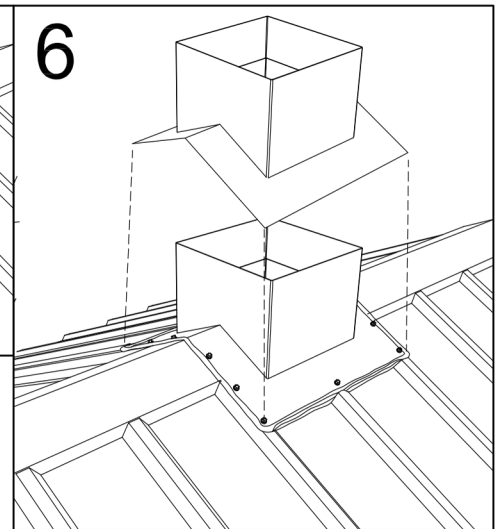
3  
Assemble and fasten the counter flashing onto roof deck around the perimeter of the opening.



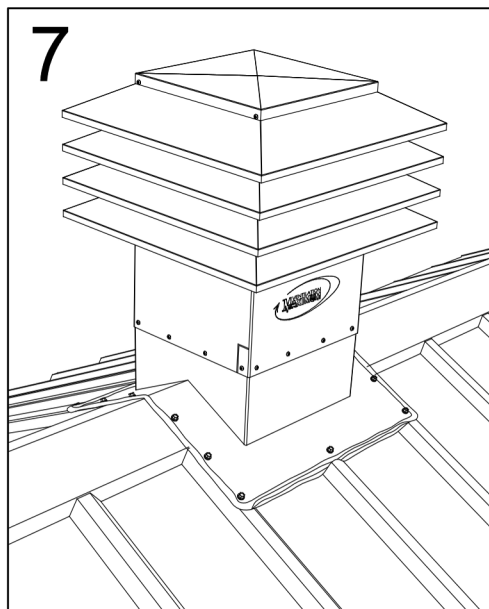
4  
Install metal roof & ridge cap over the counter flashing as illustrated above and then seal around all joints with bitumen tape or caulking.



5  
Install 2 rows of closer foam.



6  
Install ridge flashing over the counter flashing and fasten onto metal roof and deck (screws supplied by contractor). Install a quality bitumen sealant around the perimeter of the flashing, filling up all gaps between metal and flashing.



7  
Install ventilator head over the ridge flashing, making sure it is level and fasten with screws provided into each of the perforated holes.  
(Model 301 shown)