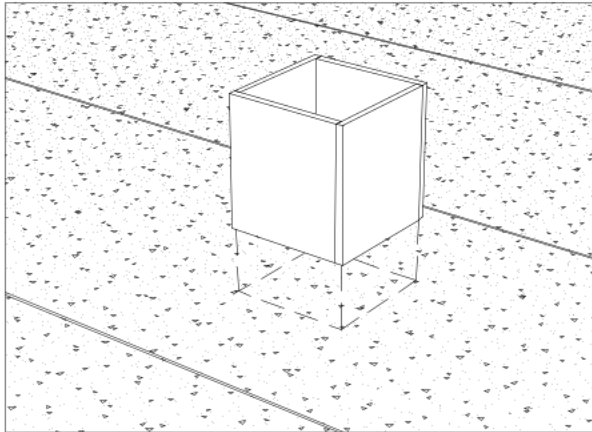


VENTILATION MAXIMUM

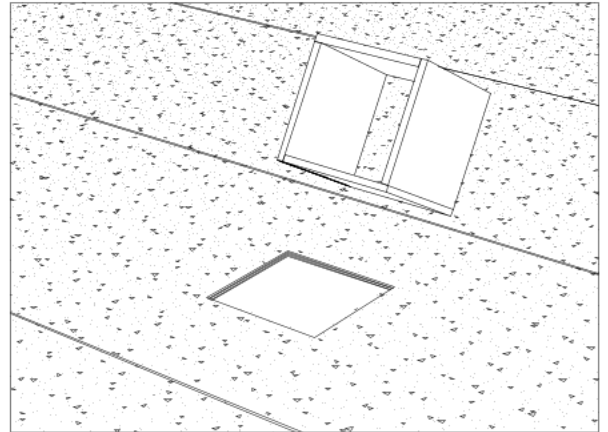
Installation of the roof exhaust 101-12 for flat roof with membrane (for new and existing roof)

1



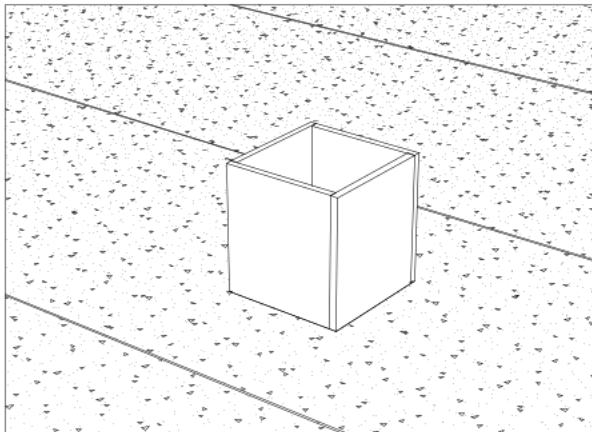
Build a wooden curb to fit inside the vent with the proper allowance for the membrane and place the curb on the roof at the desired location. Make sure the opening is located between the structural beams. Trace a line on the roof from inside the curb.

2



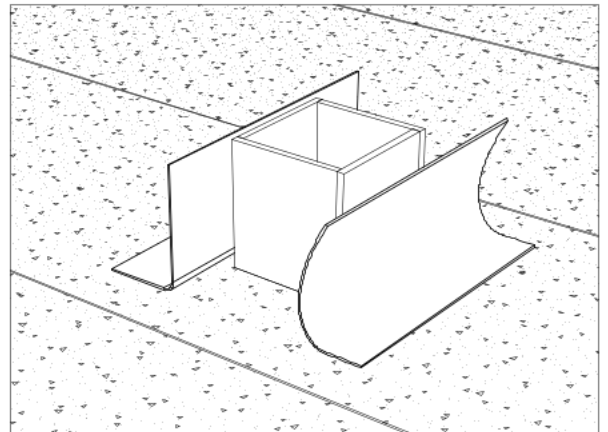
Cut an opening in the roof following your traced line. Apply a generous amount of bitumen under and along the perimeter of the curb.

3



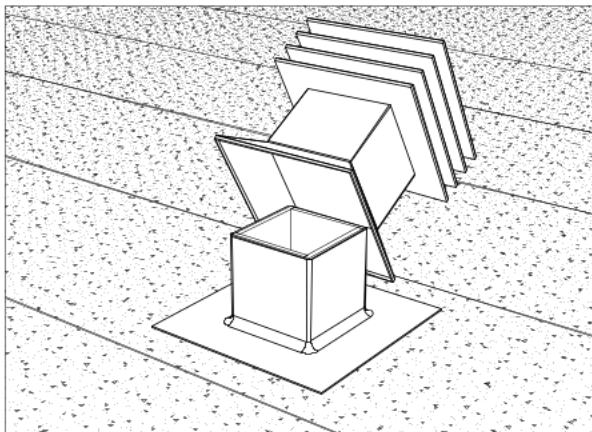
Install the curb centered on the opening and fasten it to the roof using screws. (fasteners supplied by the contractor)

4



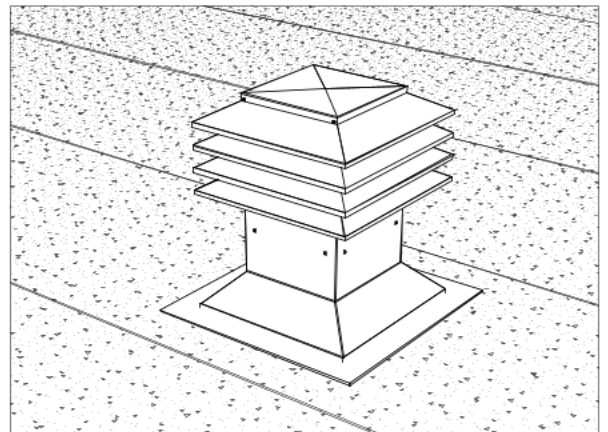
Waterproof the flashing by installing a membrane on all its horizontal and vertical surfaces. Follow the installation instructions recommended by the membrane manufacturer.

5



Place the head of the ventilator over its flashing

6



Install the head of the ventilator on its flashing by fastening it using the supplied self-tapping screws. Make sure to install the screws at a minimum height of 203mm (8") from the finished roof system.